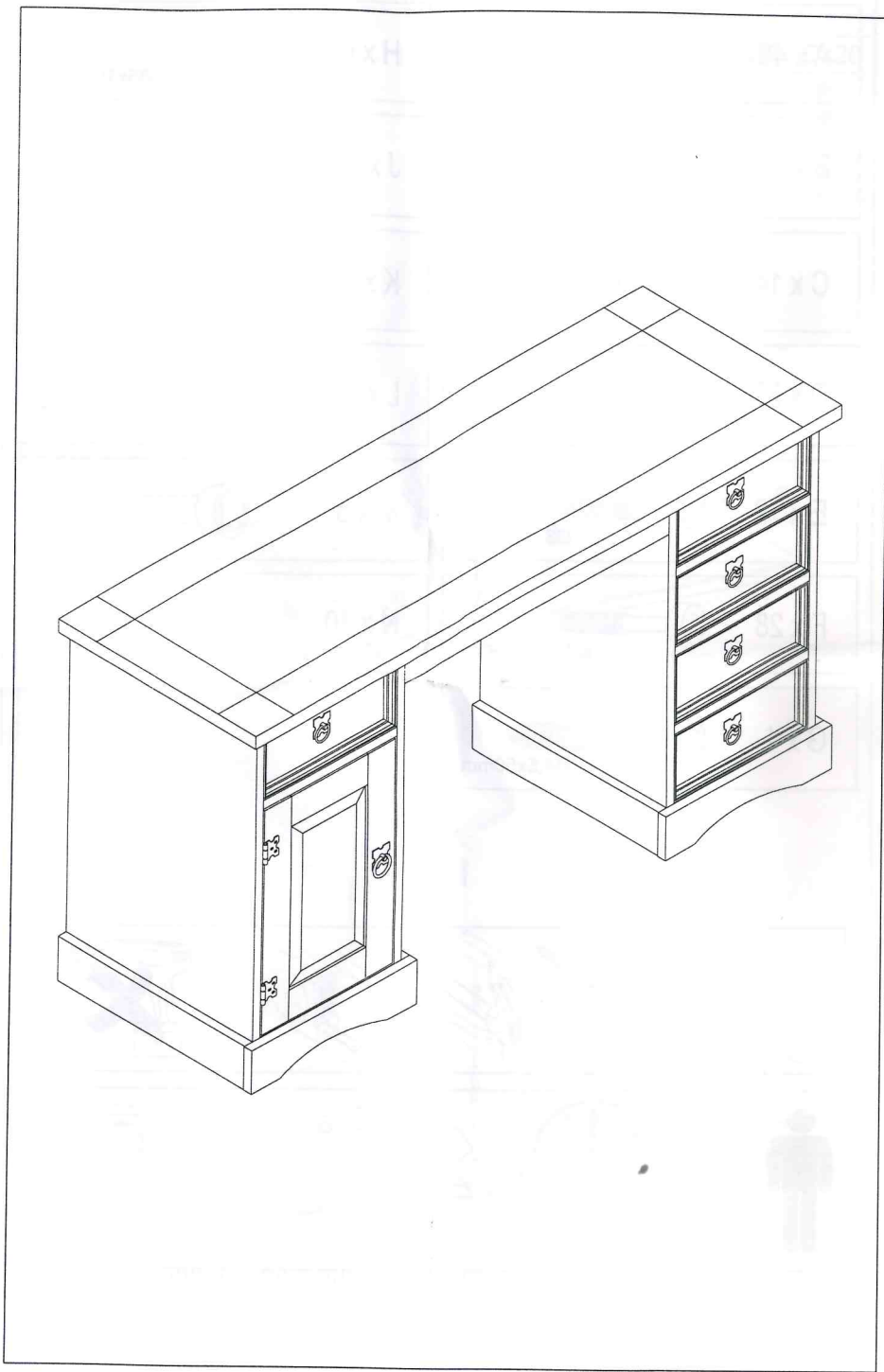
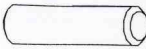

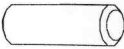



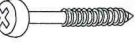

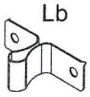
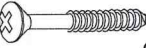
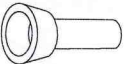
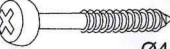
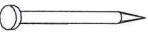
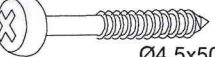
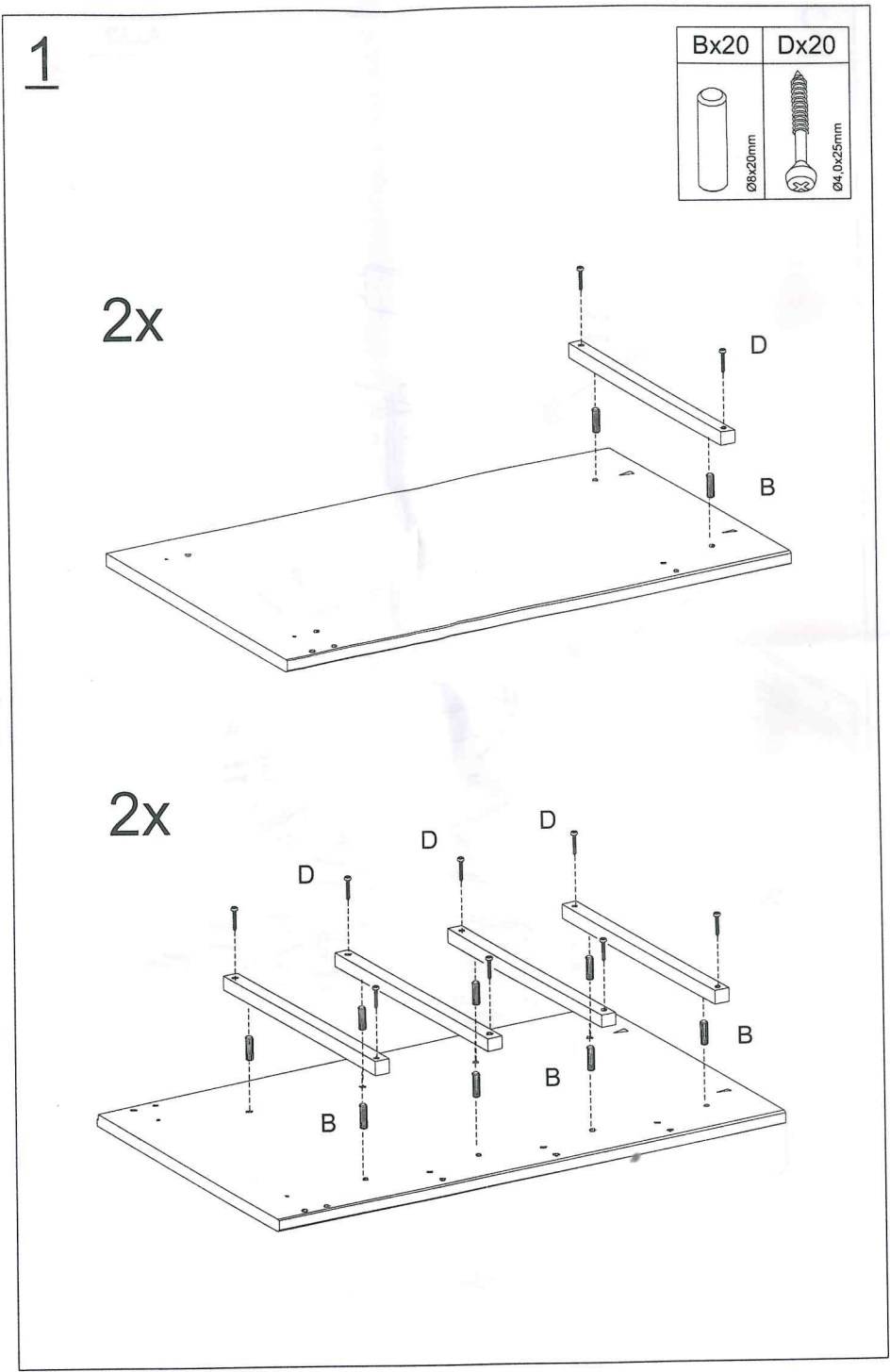
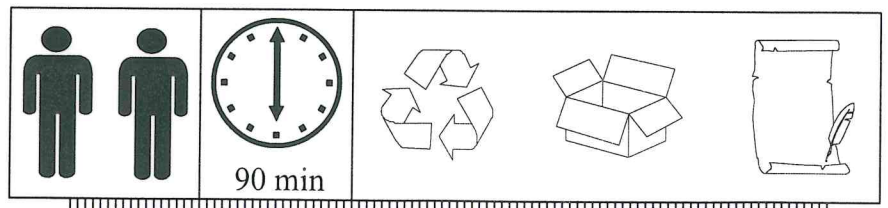
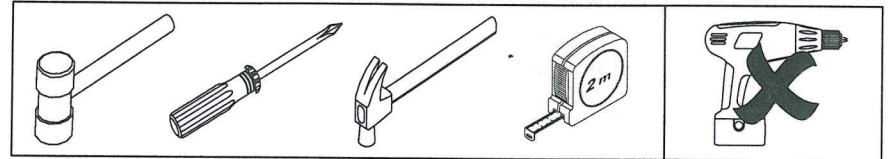


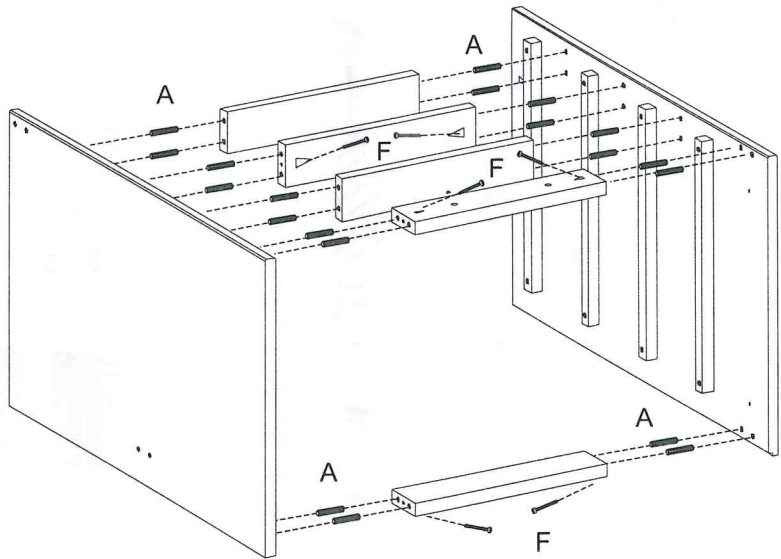
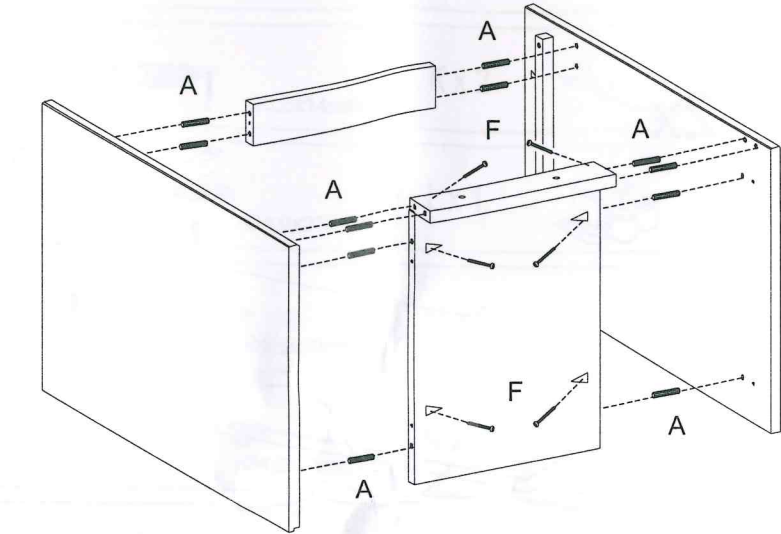
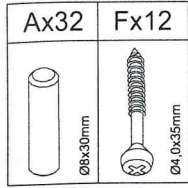
Ref.: 234



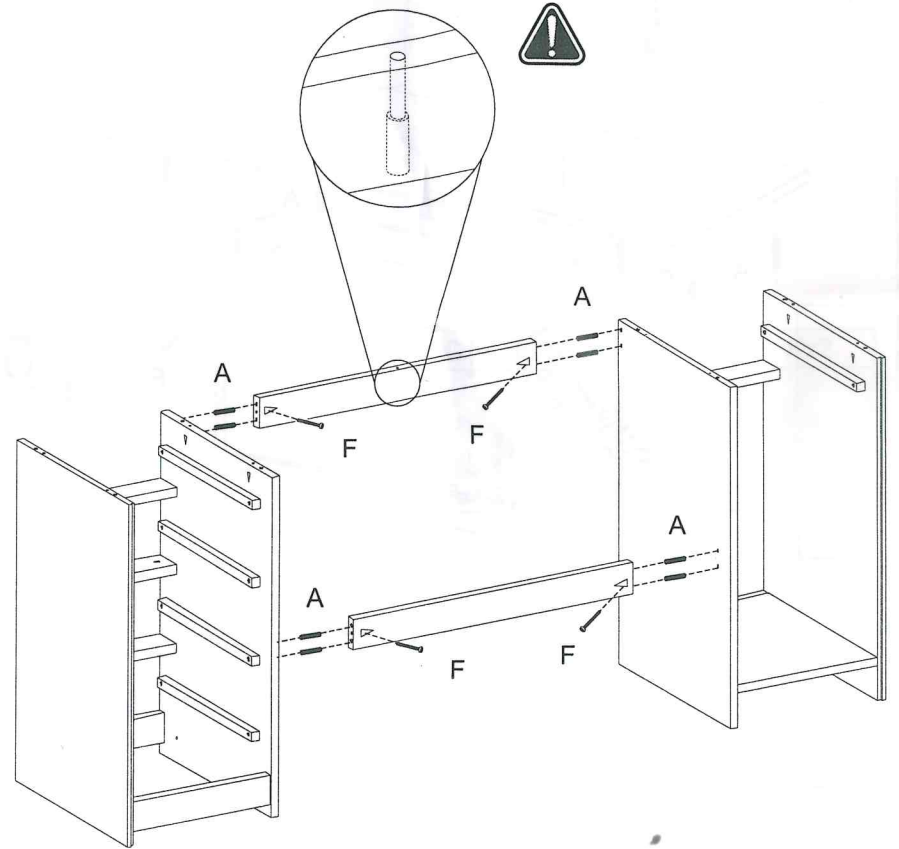
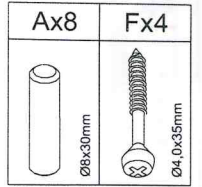
A x 48  Ø8x30mm	H x 6  Ø5x19mm
B x 20  Ø8x20mm	J x 6 
C x 14  Ø3,5x14mm	K x 2 
D x 20  Ø4,0x25mm	L x 1  
E x 52  Ø3,5x30mm	M x 5 
F x 28  Ø4,0x35mm	N x 40 
G x 1  Ø4,5x50mm	






2

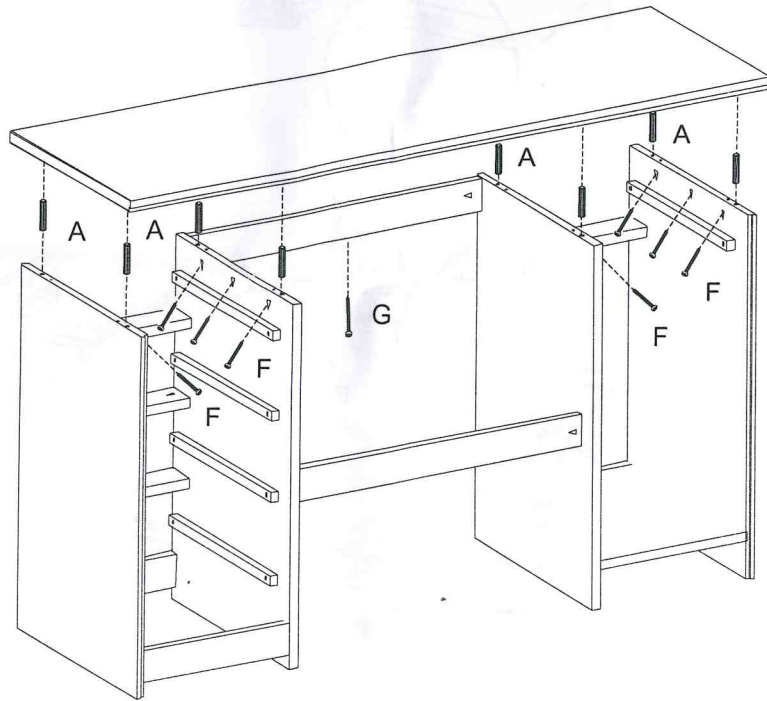


3




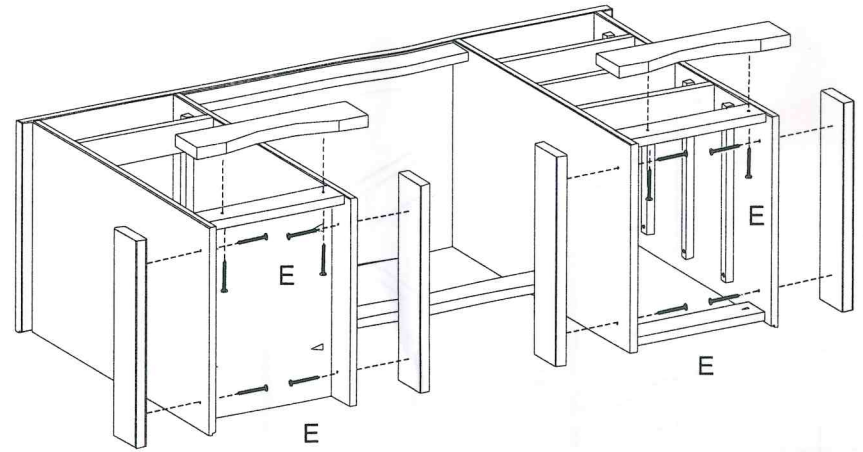
4

Ax8	Fx12	Gx1
		
Ø8x30mm	Ø4.0x35mm	Ø4.5x50mm







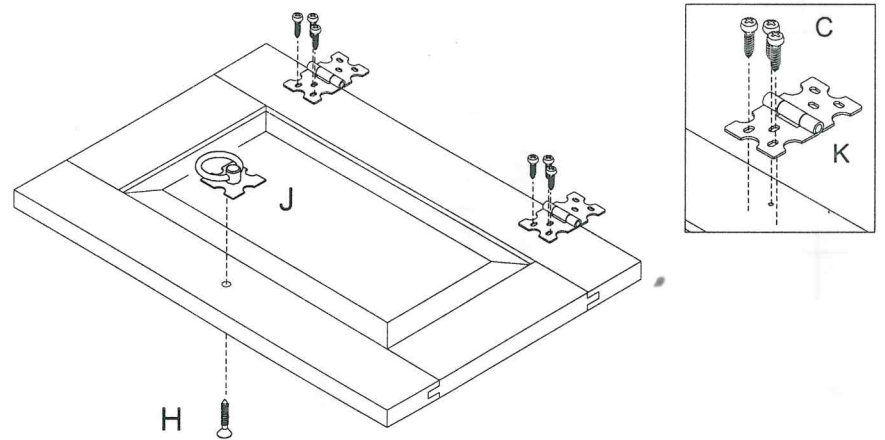
5

Ex12

Ø3.5x30mm



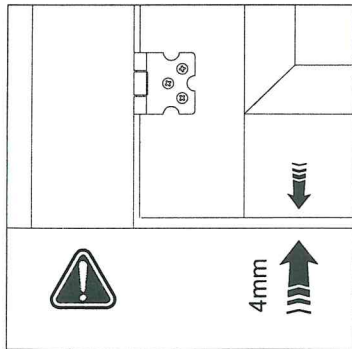
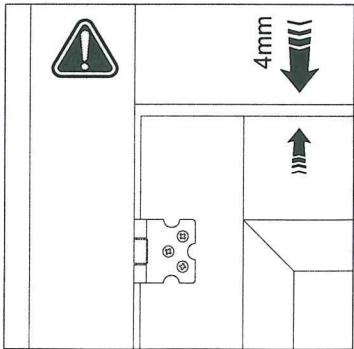
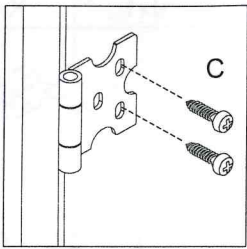
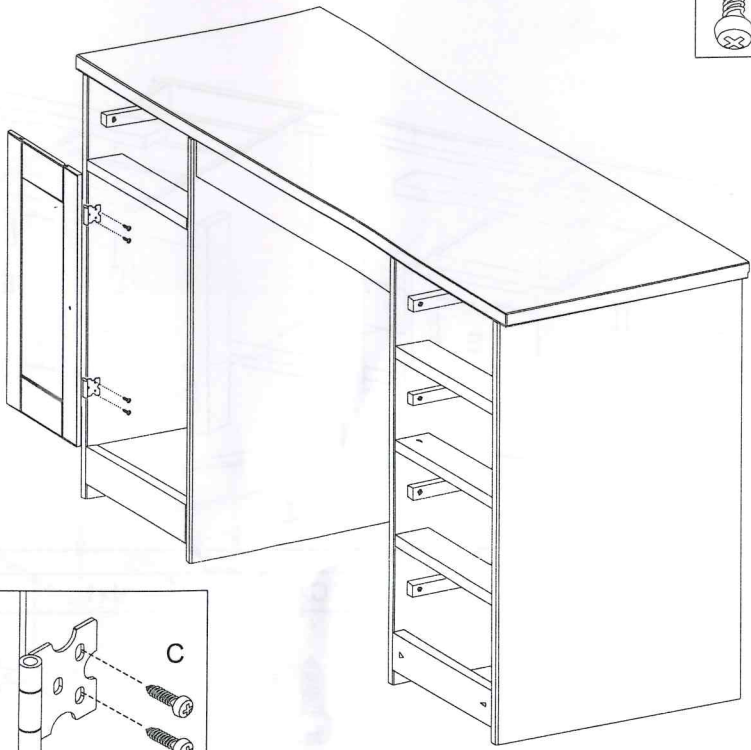
6

Cx6	Hx1	Jx1	Kx2
			
Ø3.5x14mm	Ø5x19mm		



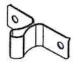


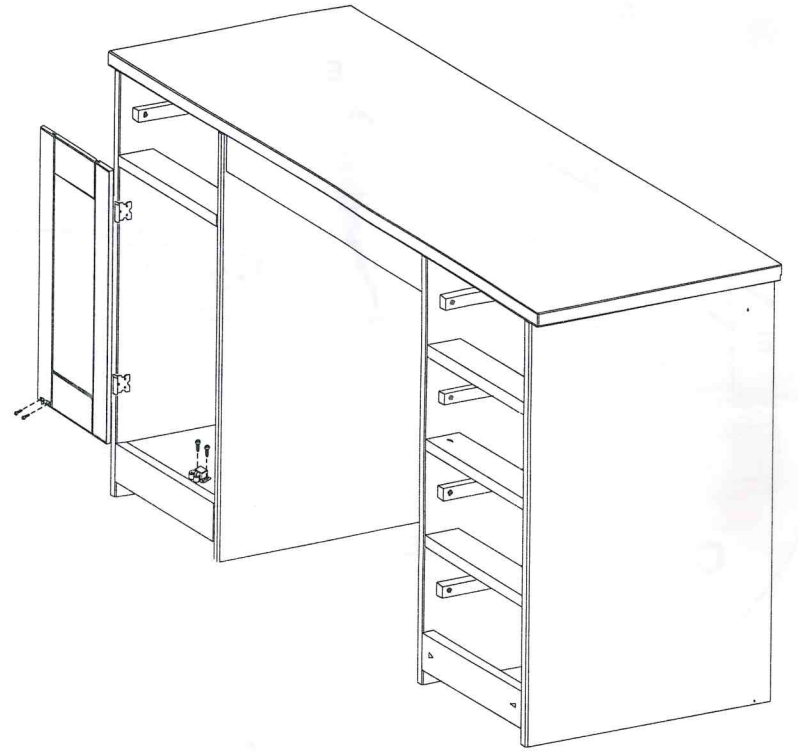
7

Cx4
Ø3.5x14mm

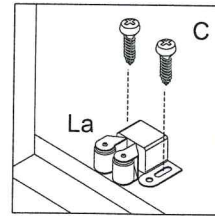


8

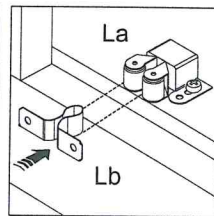
Cx4	Lax1	Lbx1
 Ø3.5x14mm		



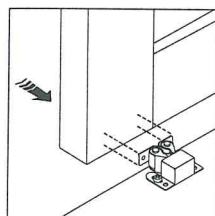
a:



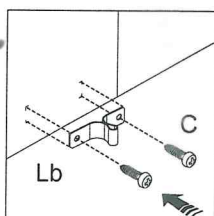
b:



c:






d:

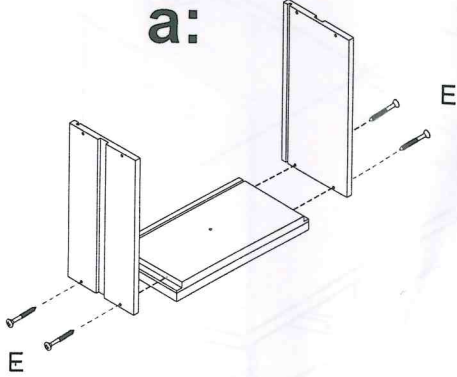


9

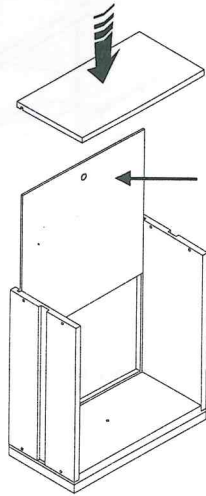
5x

Ex40	Hx5	Jx5
 Ø3.5x30mm	 Ø6x19mm	

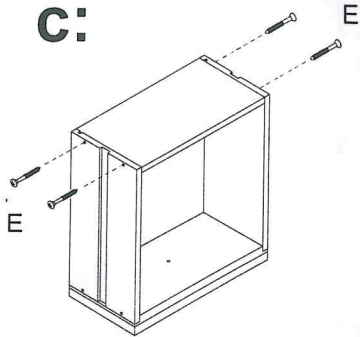
a:



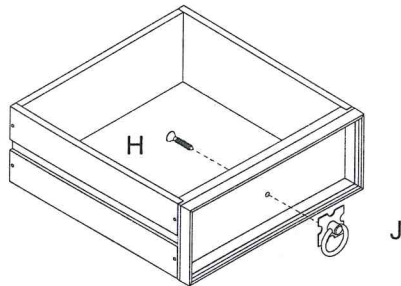
b:



c:

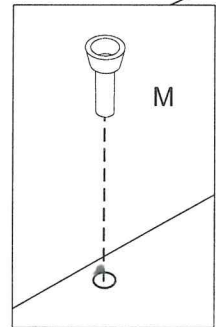
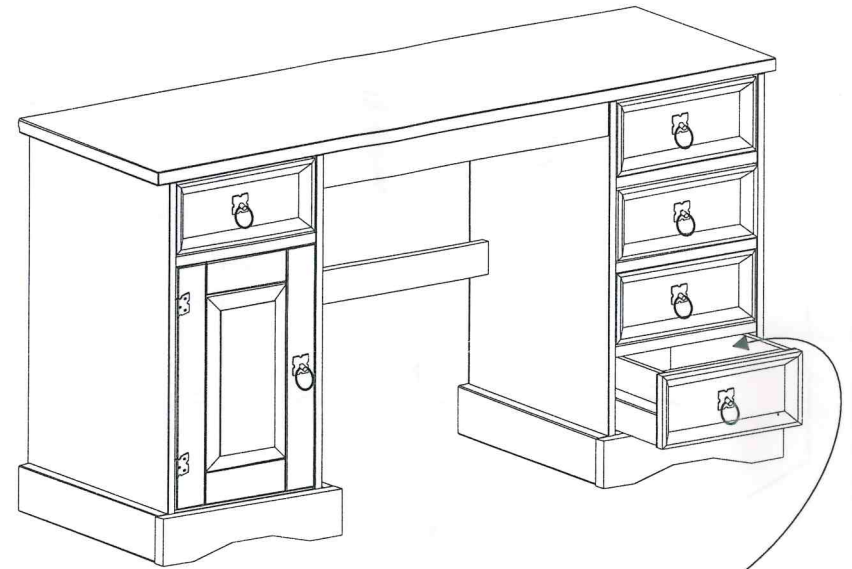


d:



10

Mx5



11

Nx40

