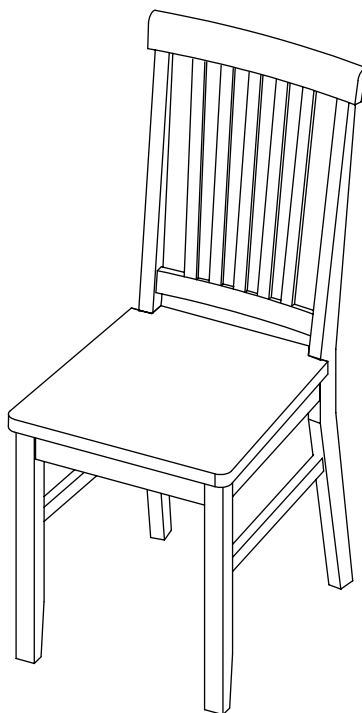
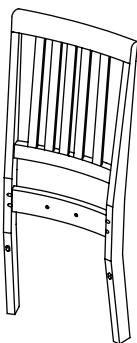


4842

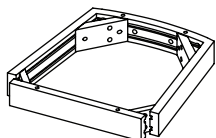


1



1 ks

2



1 ks

3



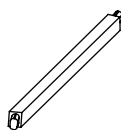
1 ks

4



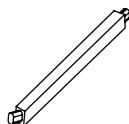
1 ks

5



1 ks

6



1 ks

A   M8×75 mm 4 ks

B   M8×50 mm 4 ks

C   M8×38 mm 2 ks

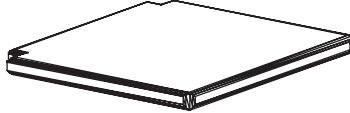
D  M8 mm 10 ks

E  M8 mm 10 ks

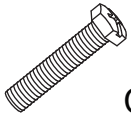
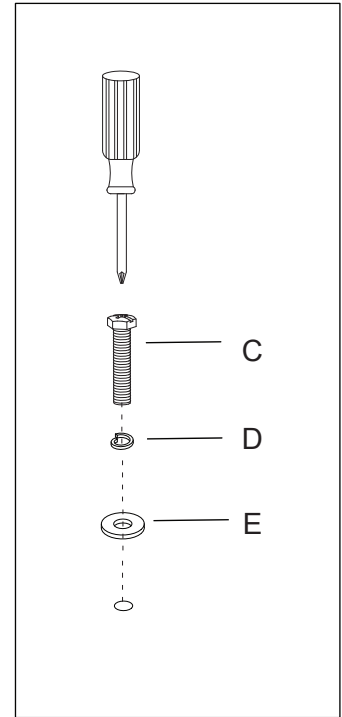
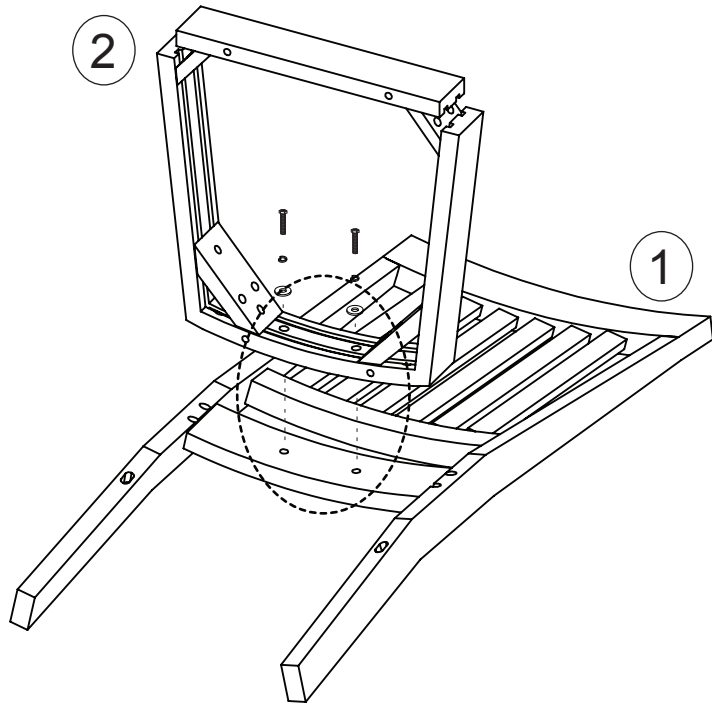
F  \varnothing 4×38 mm 4 ks

G  \varnothing 4×45 mm 4 ks

H  4 ks

7  1 ks

1



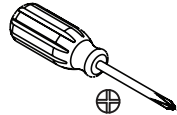
C×2



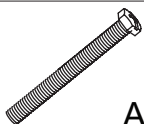
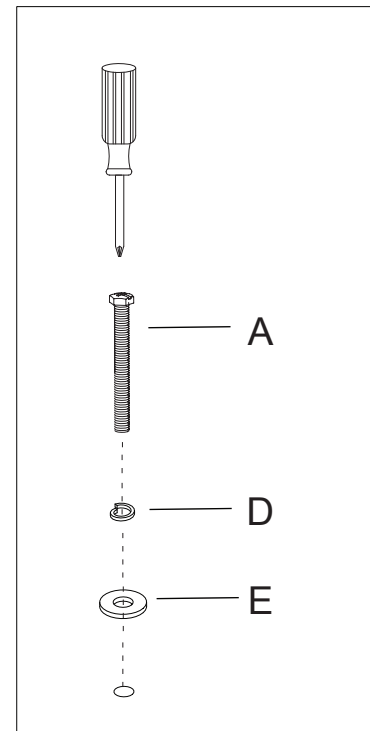
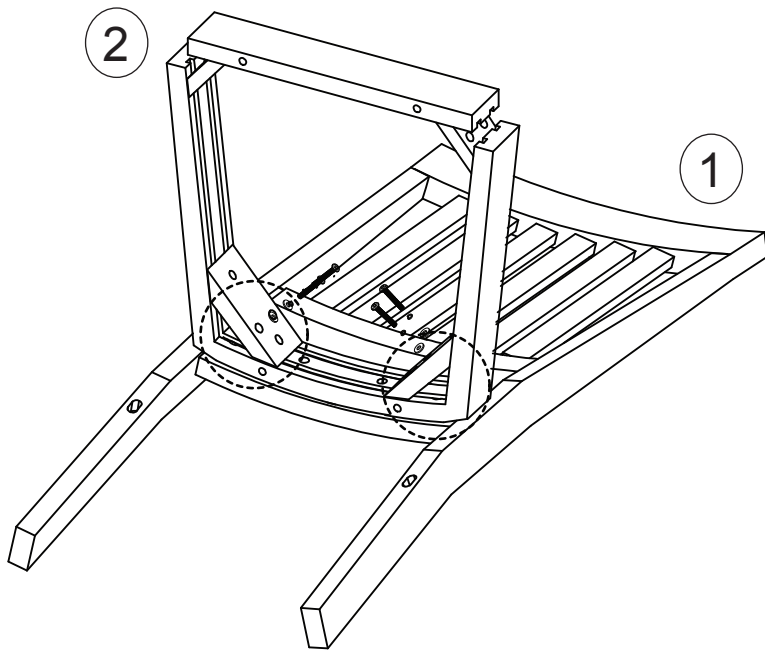
D×2



E×2



2



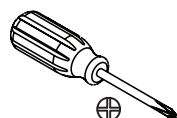
A×4



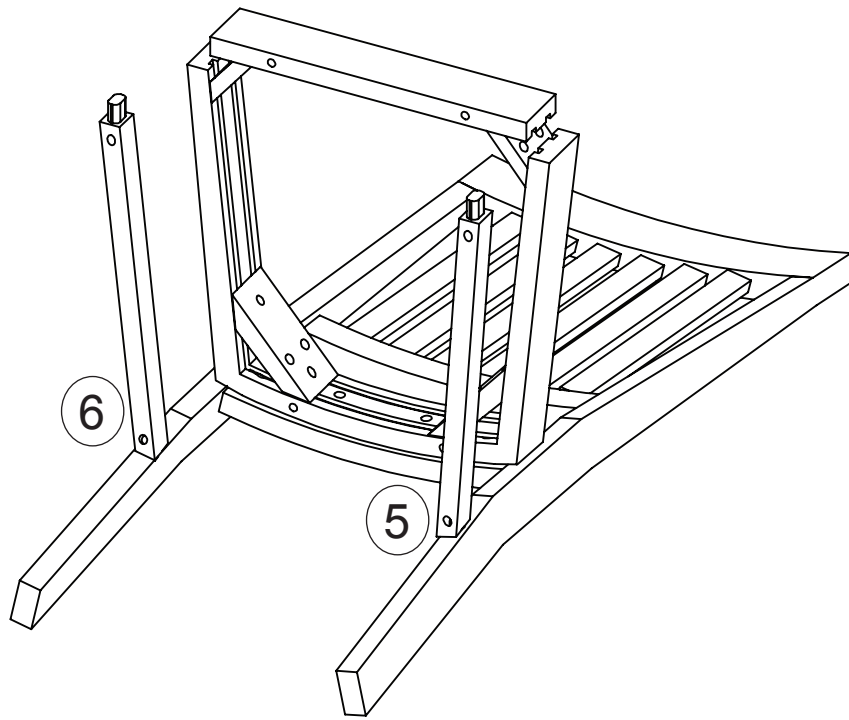
D×4



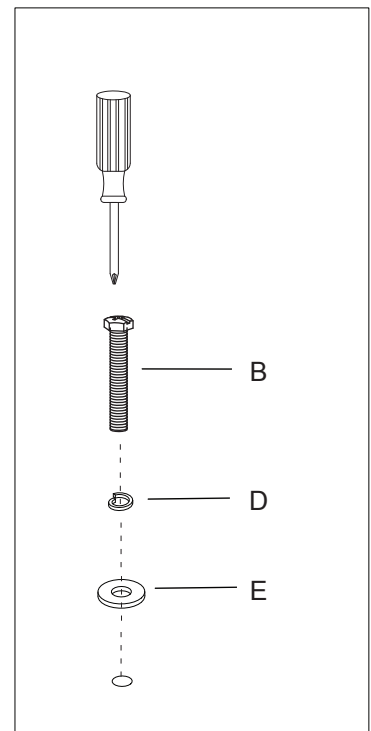
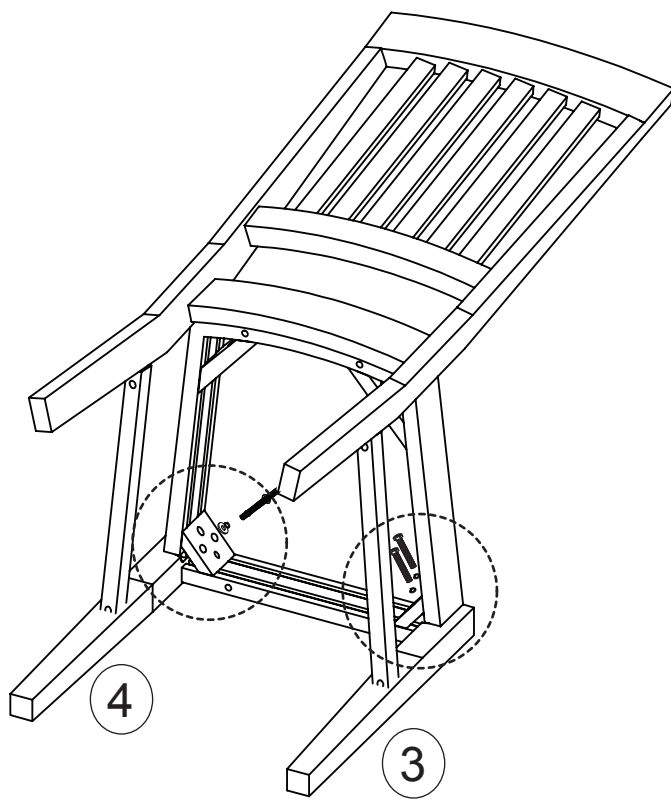
E×4



3



4



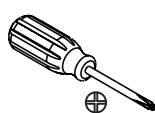
Bx4



Dx4

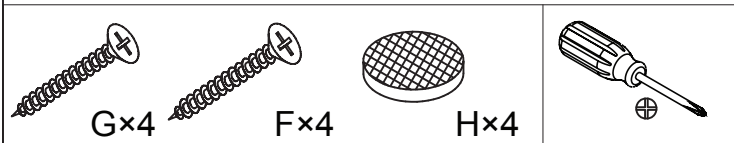
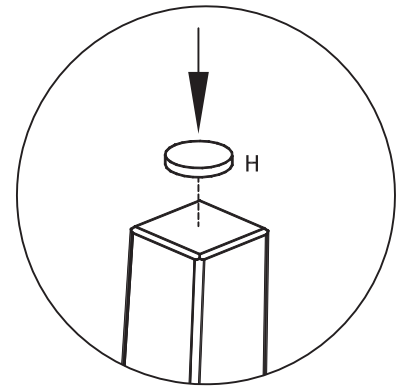
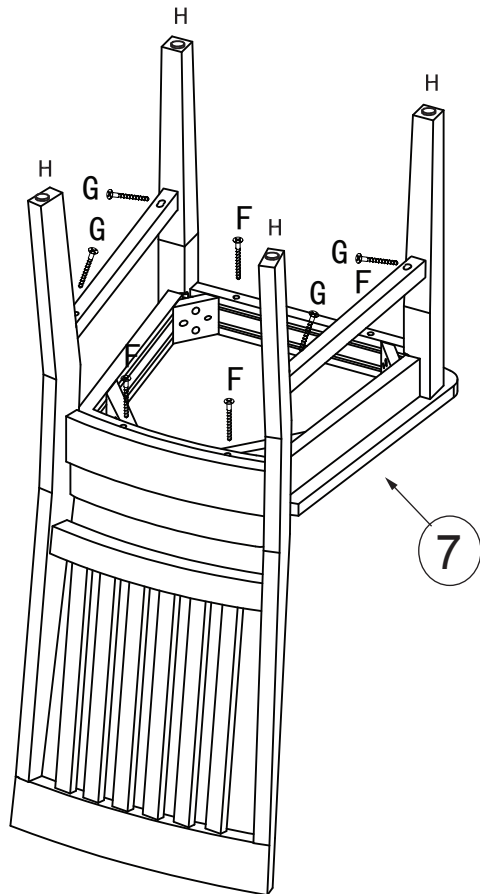


Ex4



3-4

5



6

