




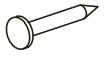
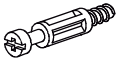




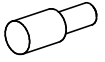



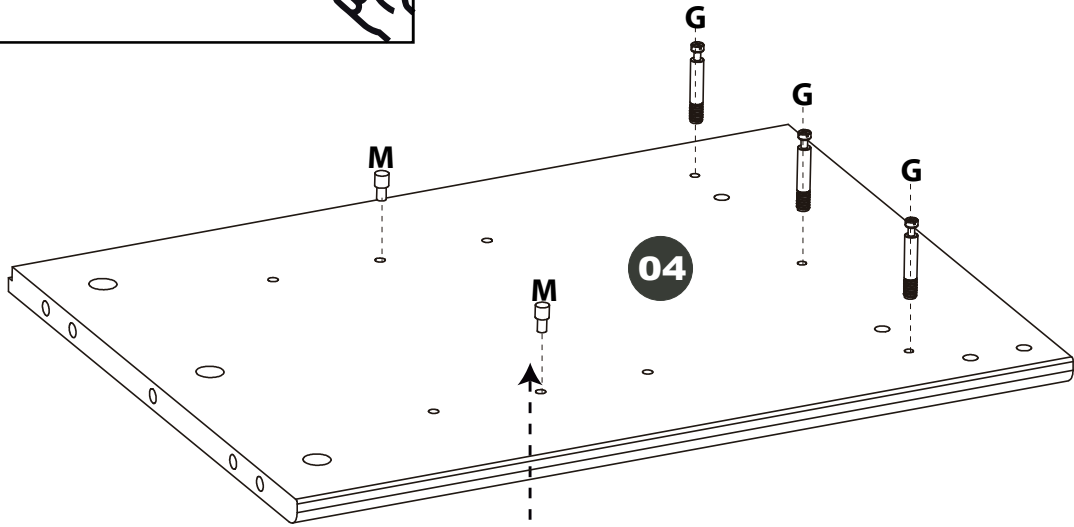
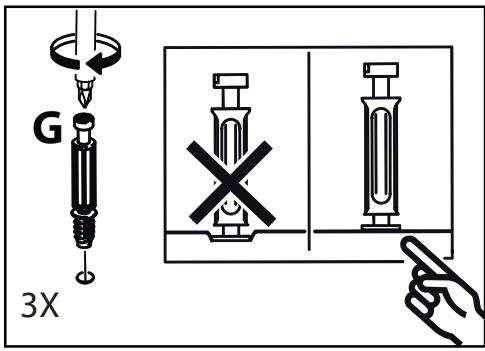


A=16  8,0 x 30mm	B=02  3,5 x 30mm	C=02  3,0 x 16mm	D=01  4,0 x 40mm	E=01 
F=20  8,0 x 8,0mm	G=14 	H=14 	I=02  4,0 x 40mm	J=08  4,0 x 16mm
L=01 	M=04 	N=06  4,0 x 25mm	O=02 	P=02 

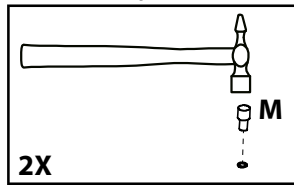
1



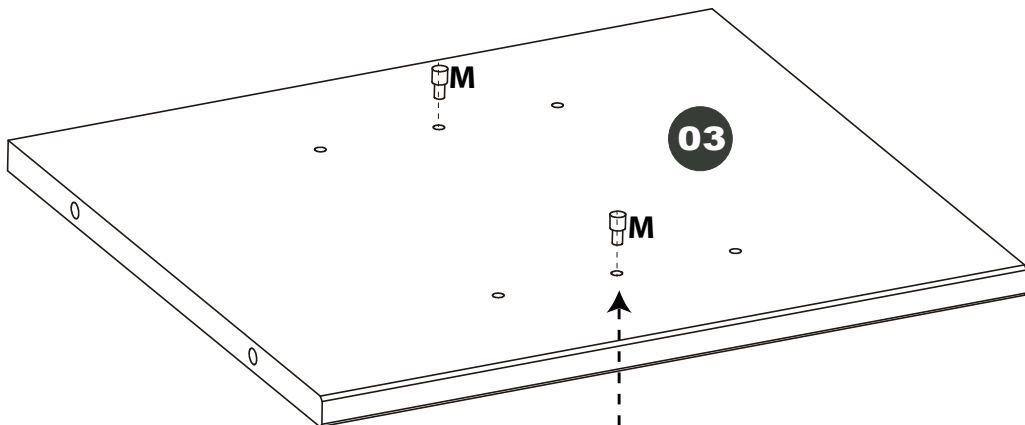
G=03



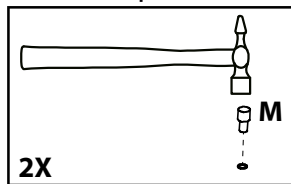
M=02



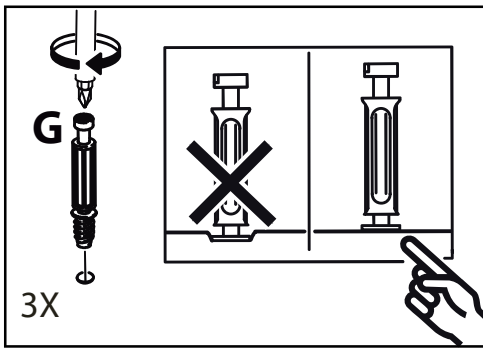
2



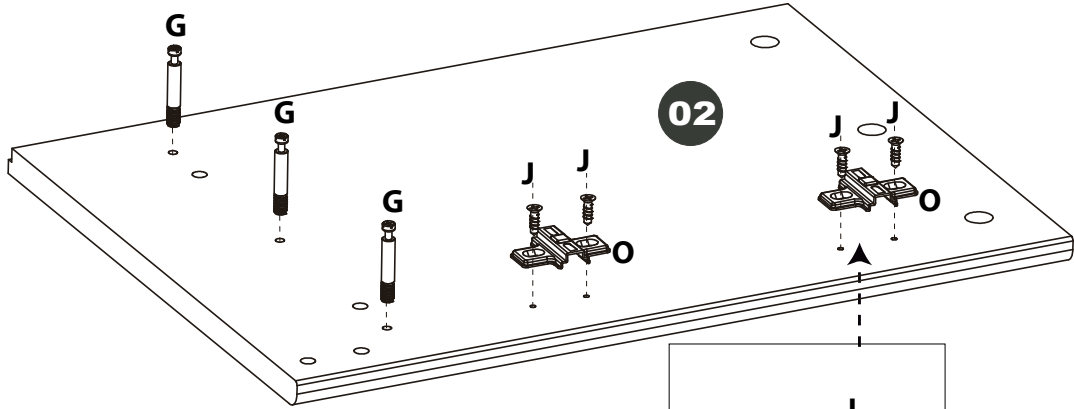
M=02





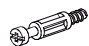
3

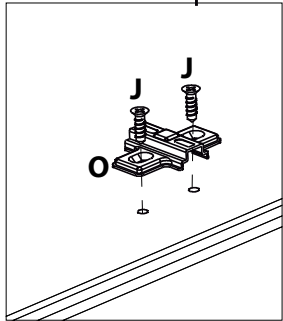


3X

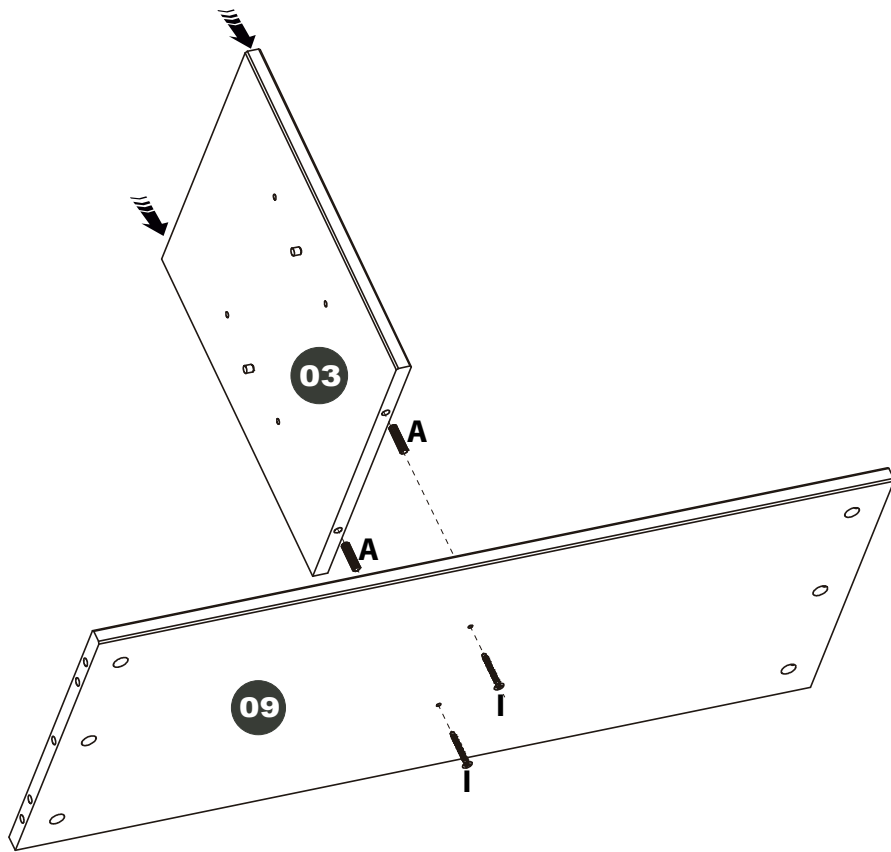


02

<p>J=04</p>  <p>4,0 x 16mm</p>	<p>O=02</p> 	<p>G=03</p> 
---	--	--

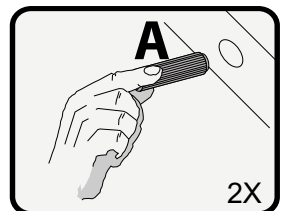


4





03

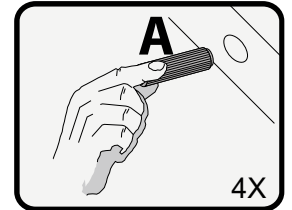
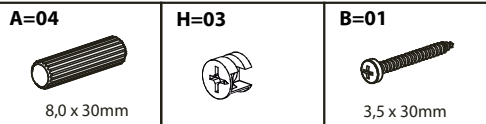
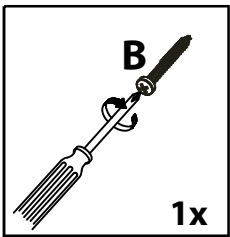
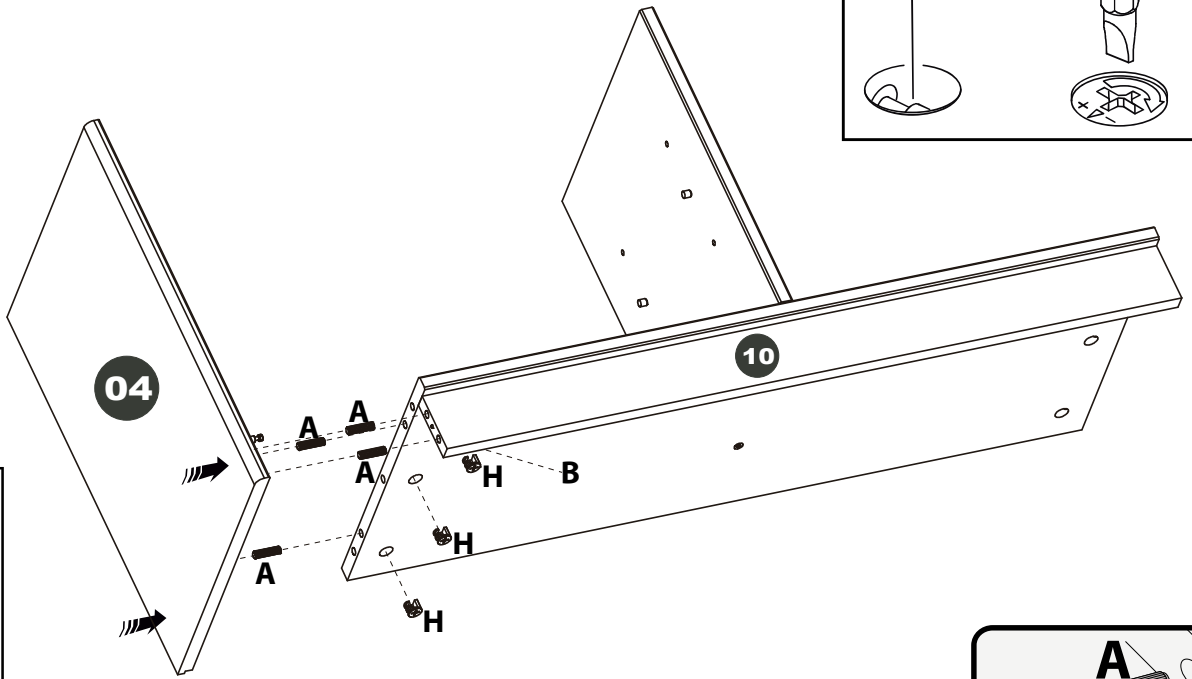
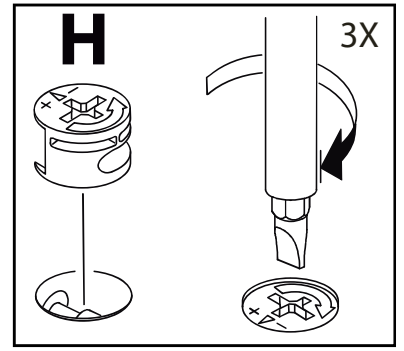
09



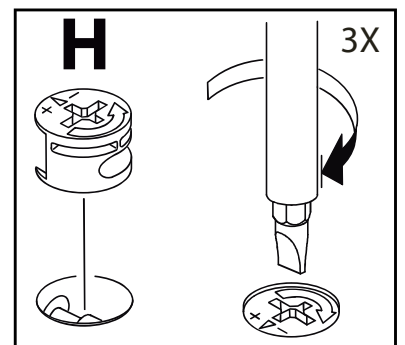
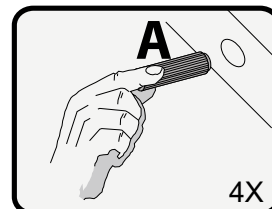
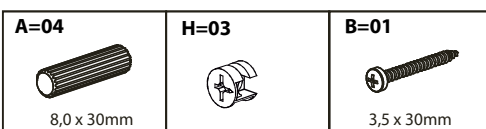
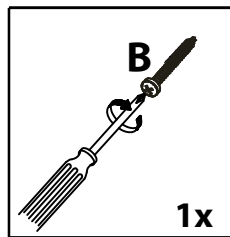
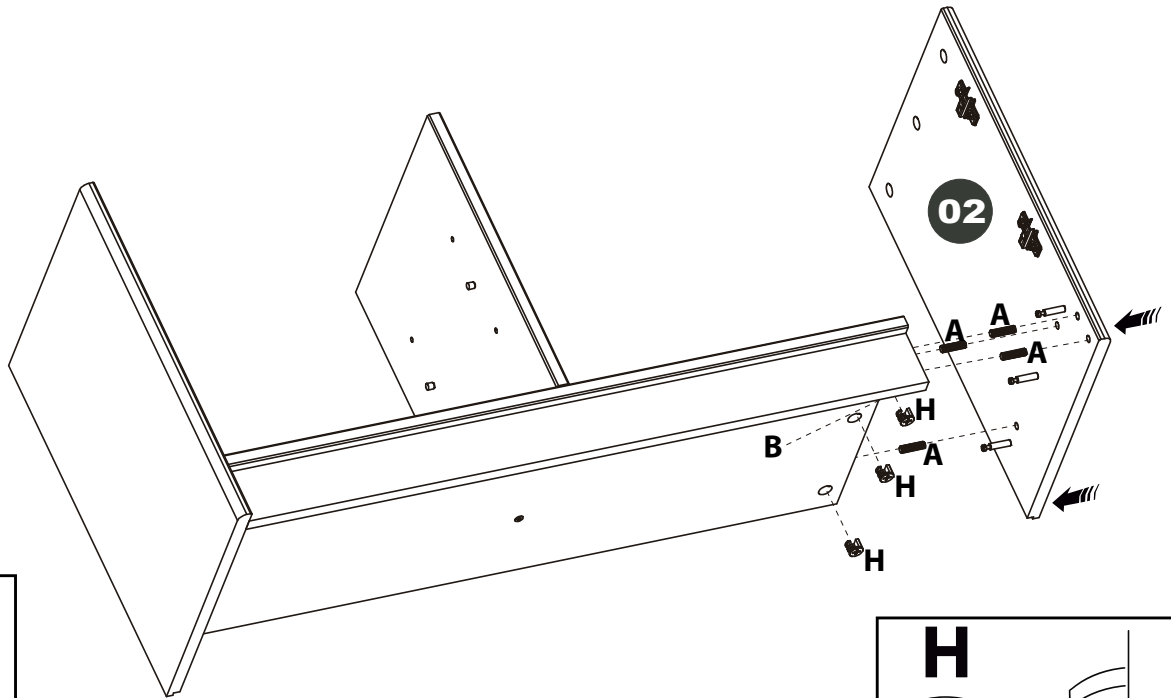
2X

<p>A=02</p>  <p>8,0 x 30mm</p>	<p>I=02</p>  <p>4,0 x 40mm</p>
--	--

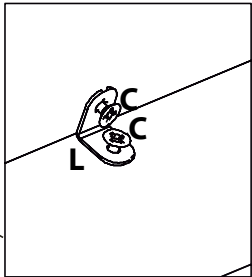
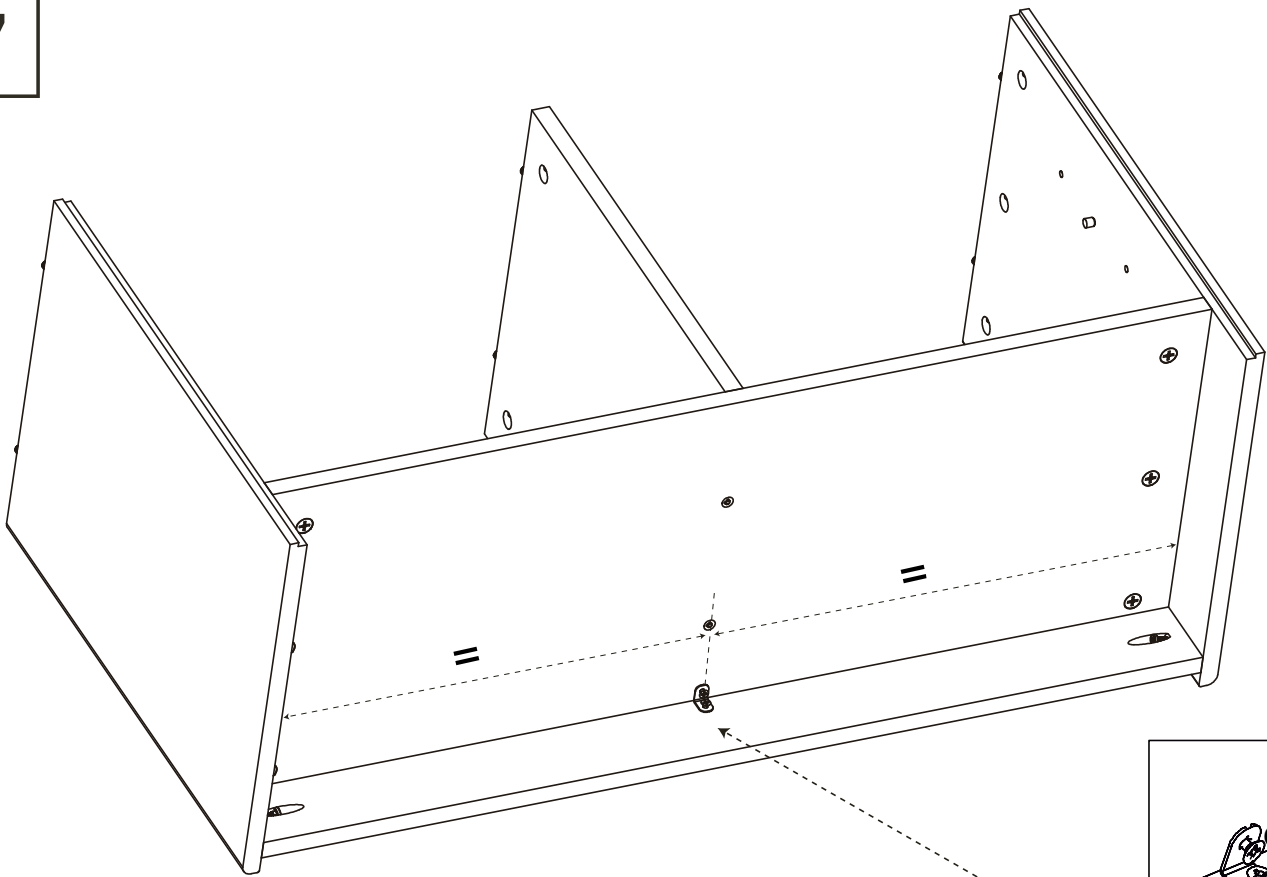
5



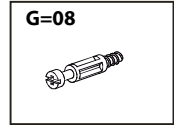
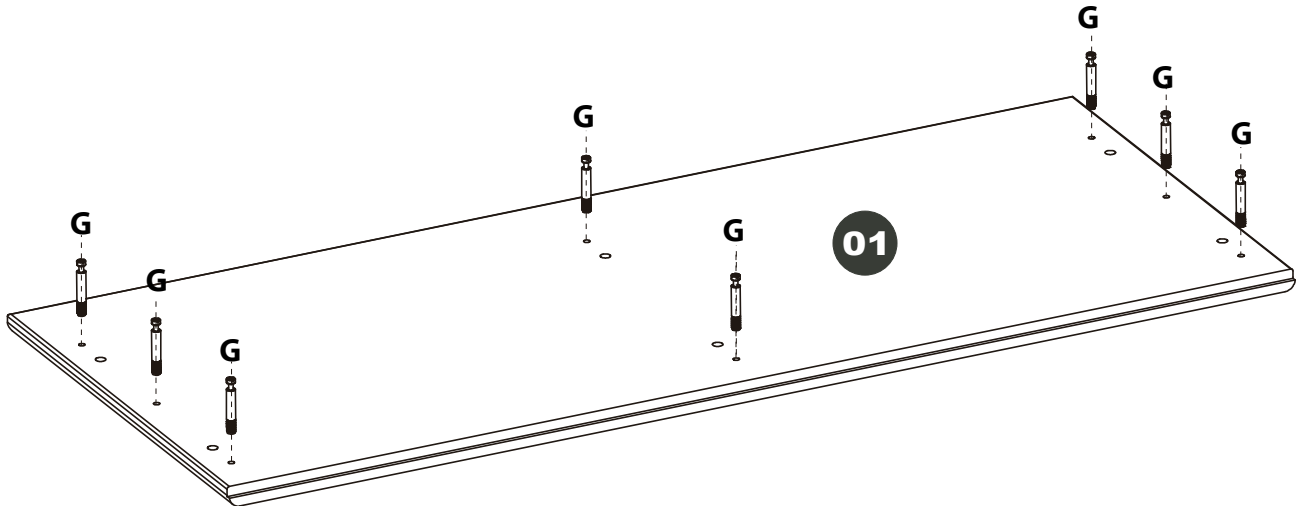
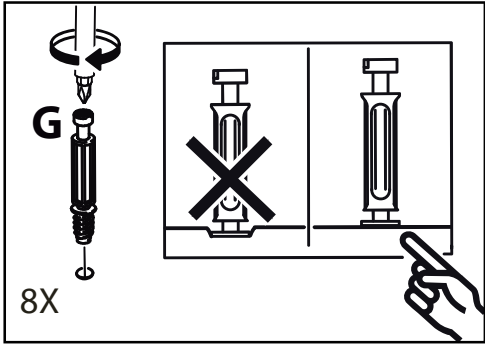
6



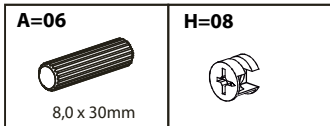
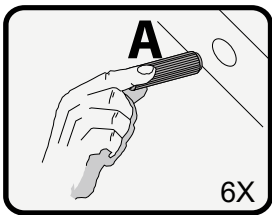
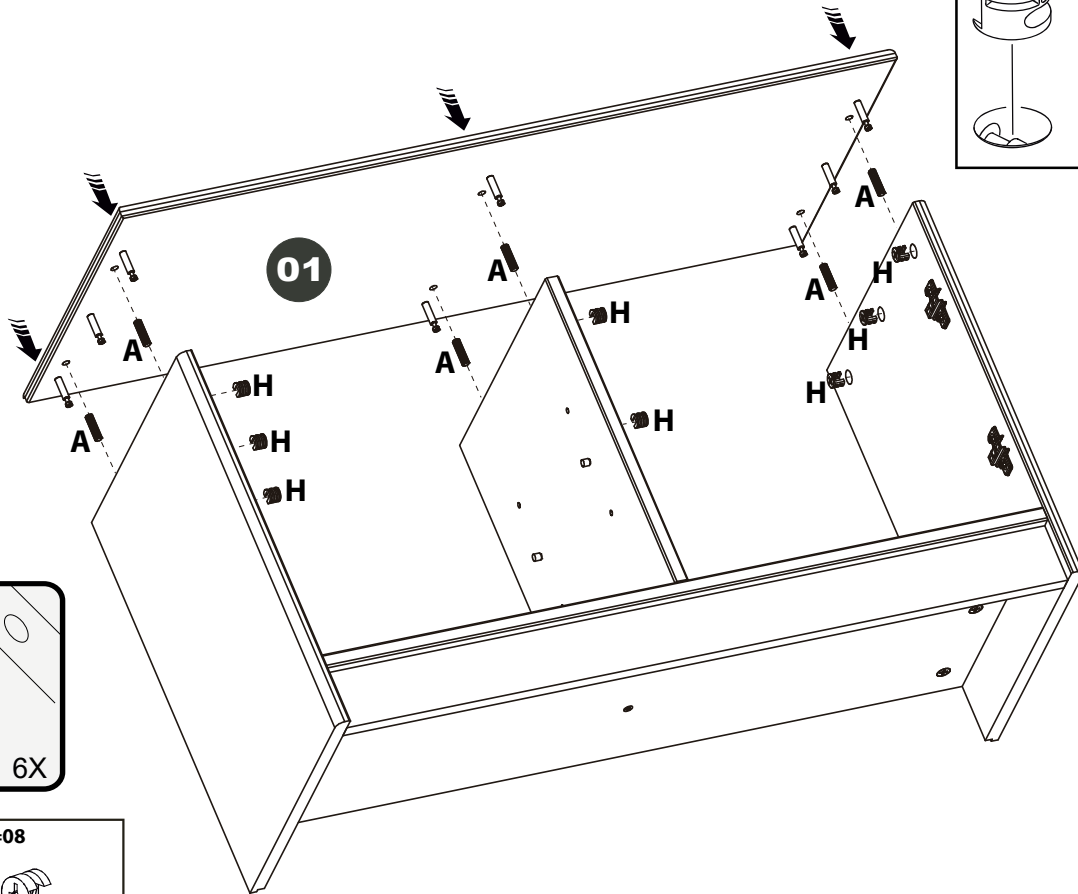
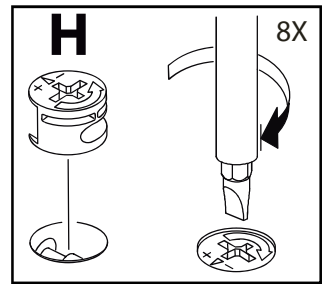
7



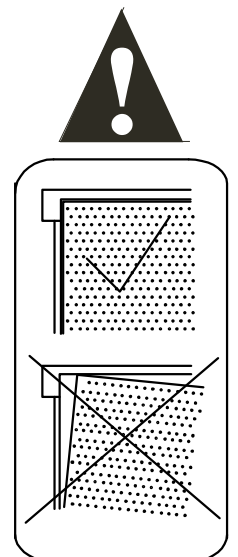
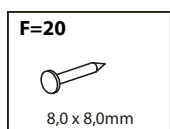
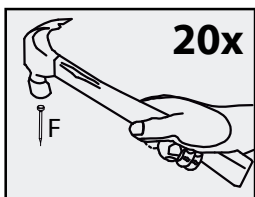
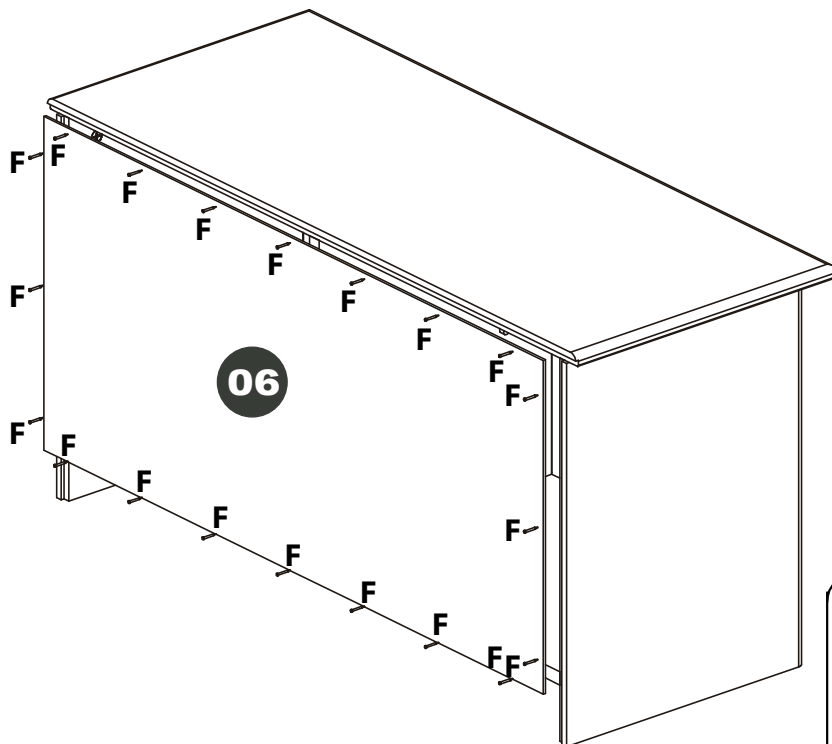
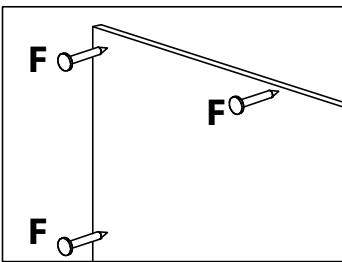
8



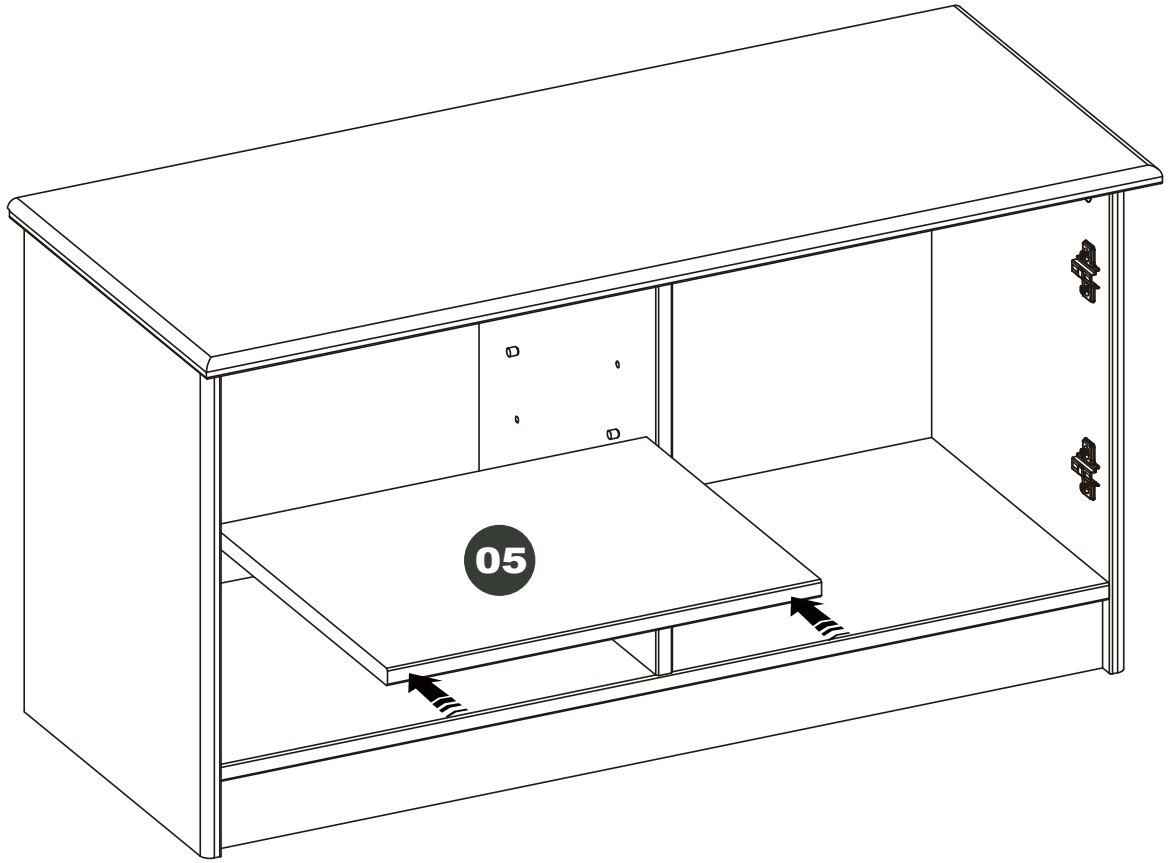
9



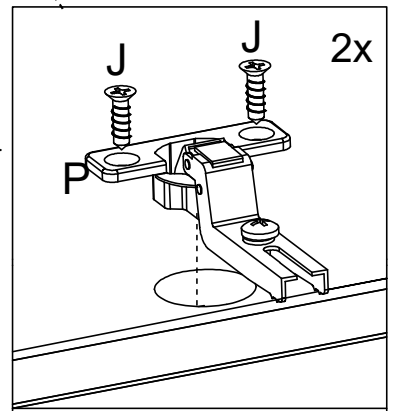
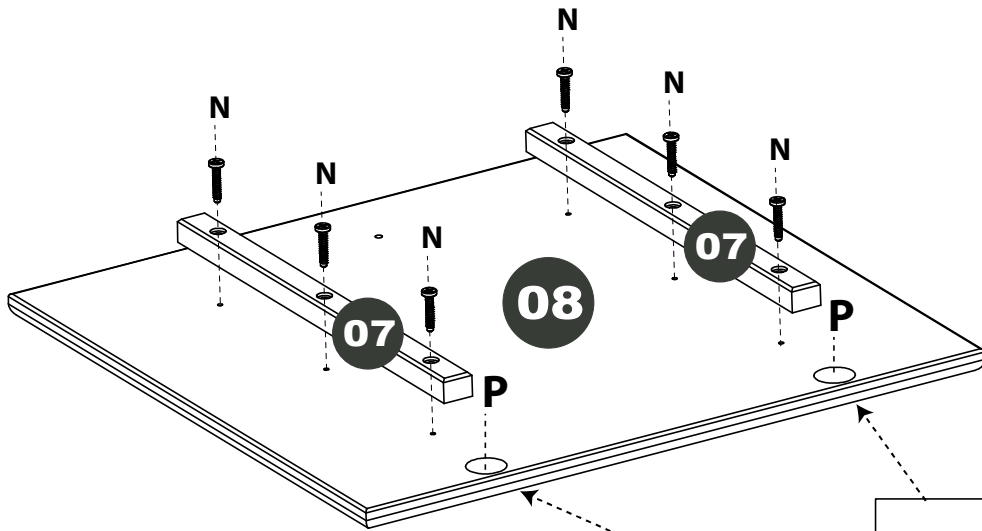
10






11



12



P=02 	J=04  4,0 x 16mm	N=06  4,0 x 25mm
---	--	--

