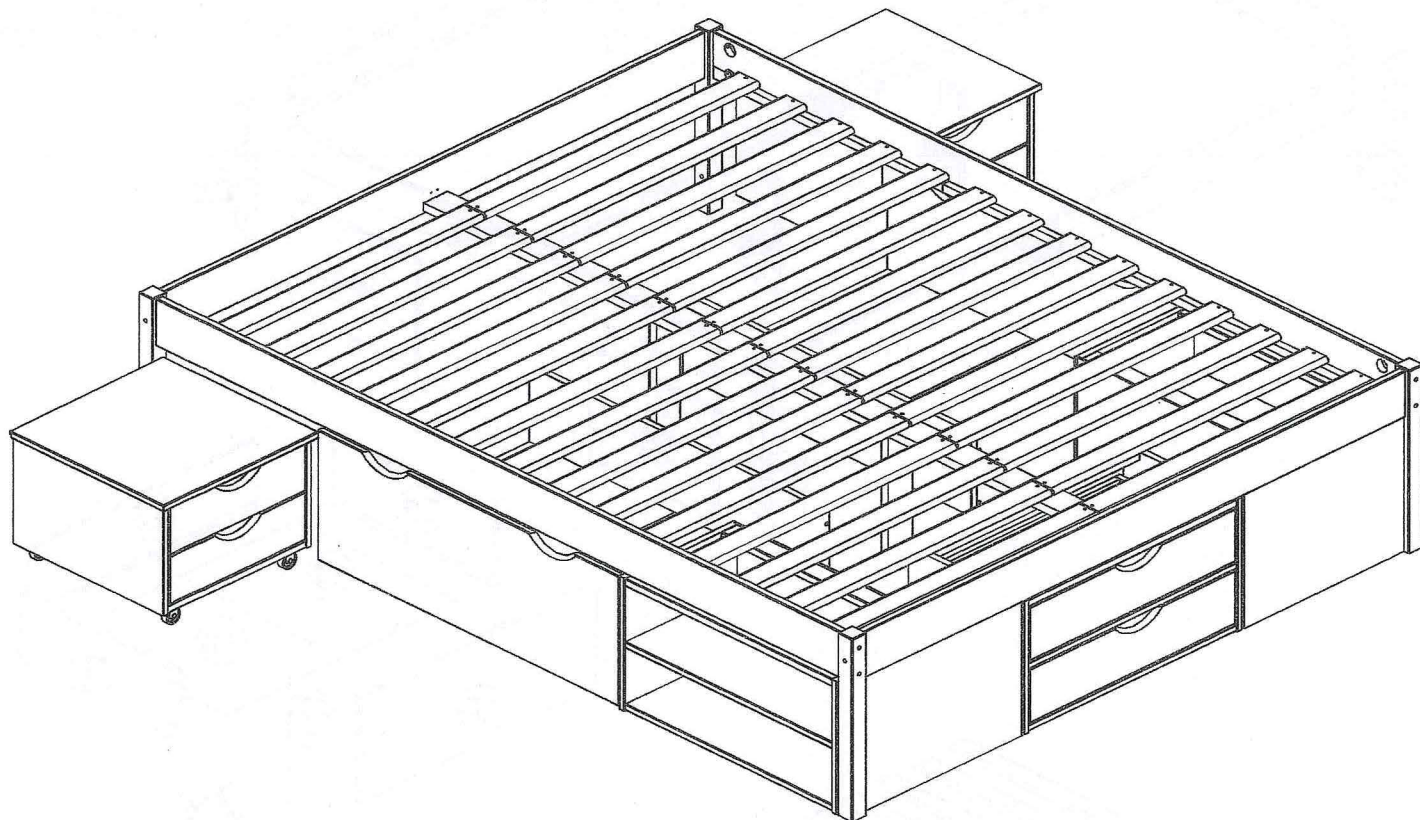


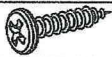
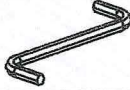

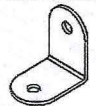

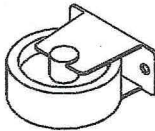



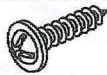

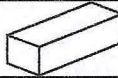
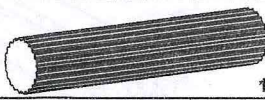

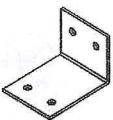


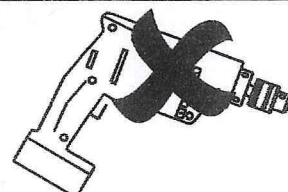
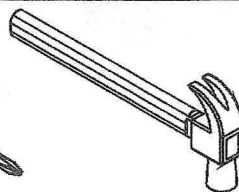
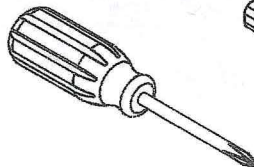
NÁVOD K MONTÁŽI

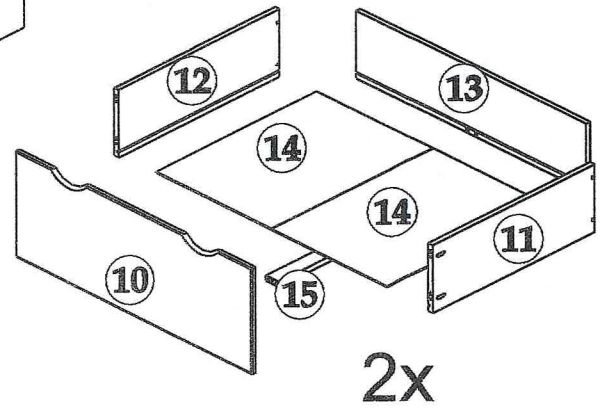
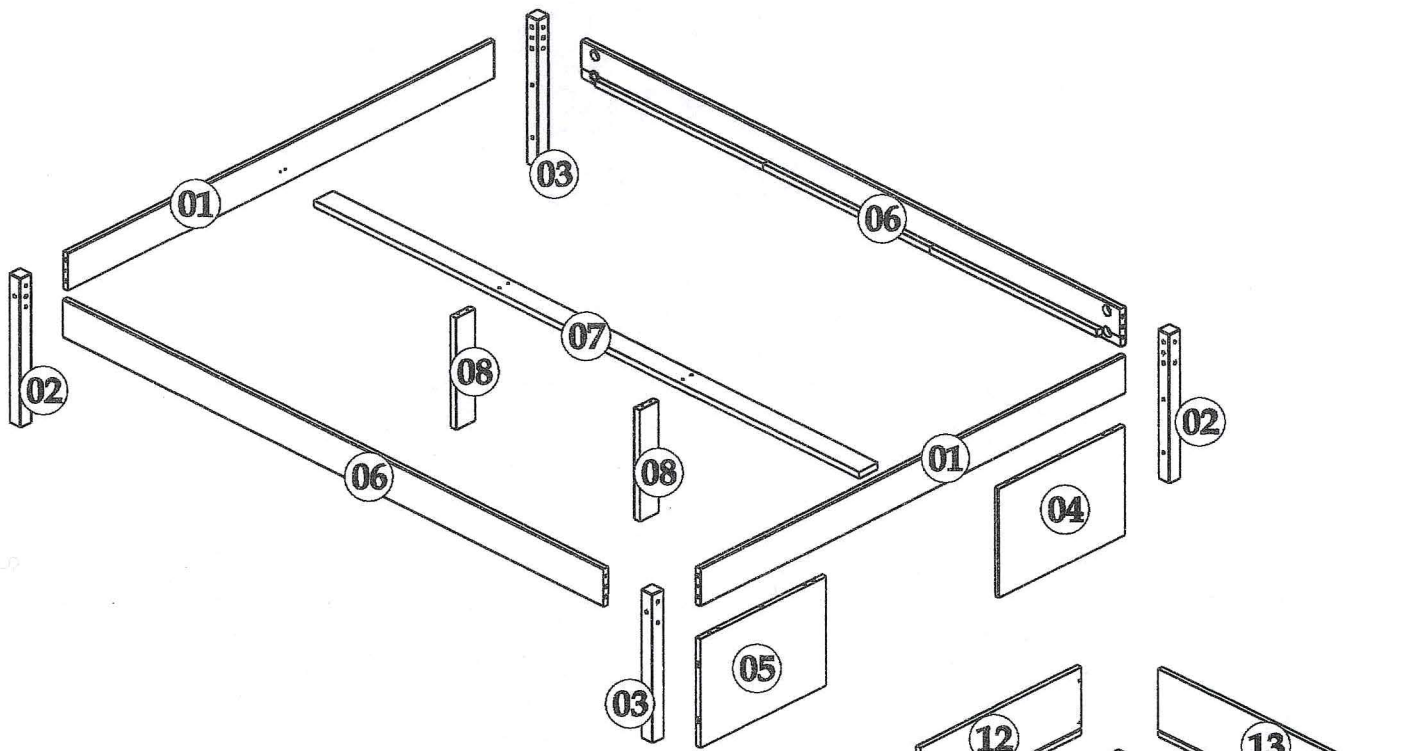


A		3,5x16 mm	52	K		08
B		4,0x25 mm	16	L		01
C		4,0x30 mm	188	M		06
D		4,0x45 mm	04	N		16
E		7,0x80 mm (cab.17)	04	O		16
F		1/4"x80 mm (cab.17)	08	P		06
G		8 x 30mm	126	Q		02
H		10 x 40mm	12			
I		8 x 8mm	56			
J			02			

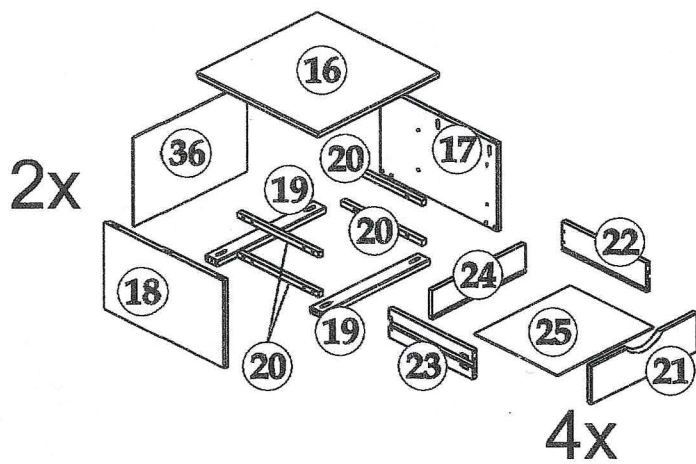
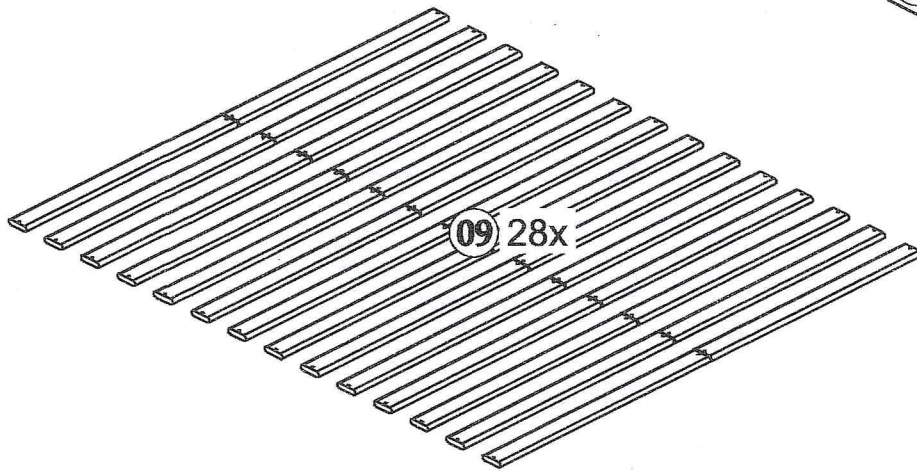


2 h 55 min



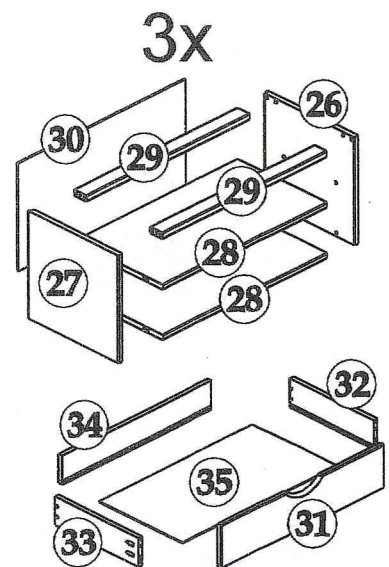


2x



2x

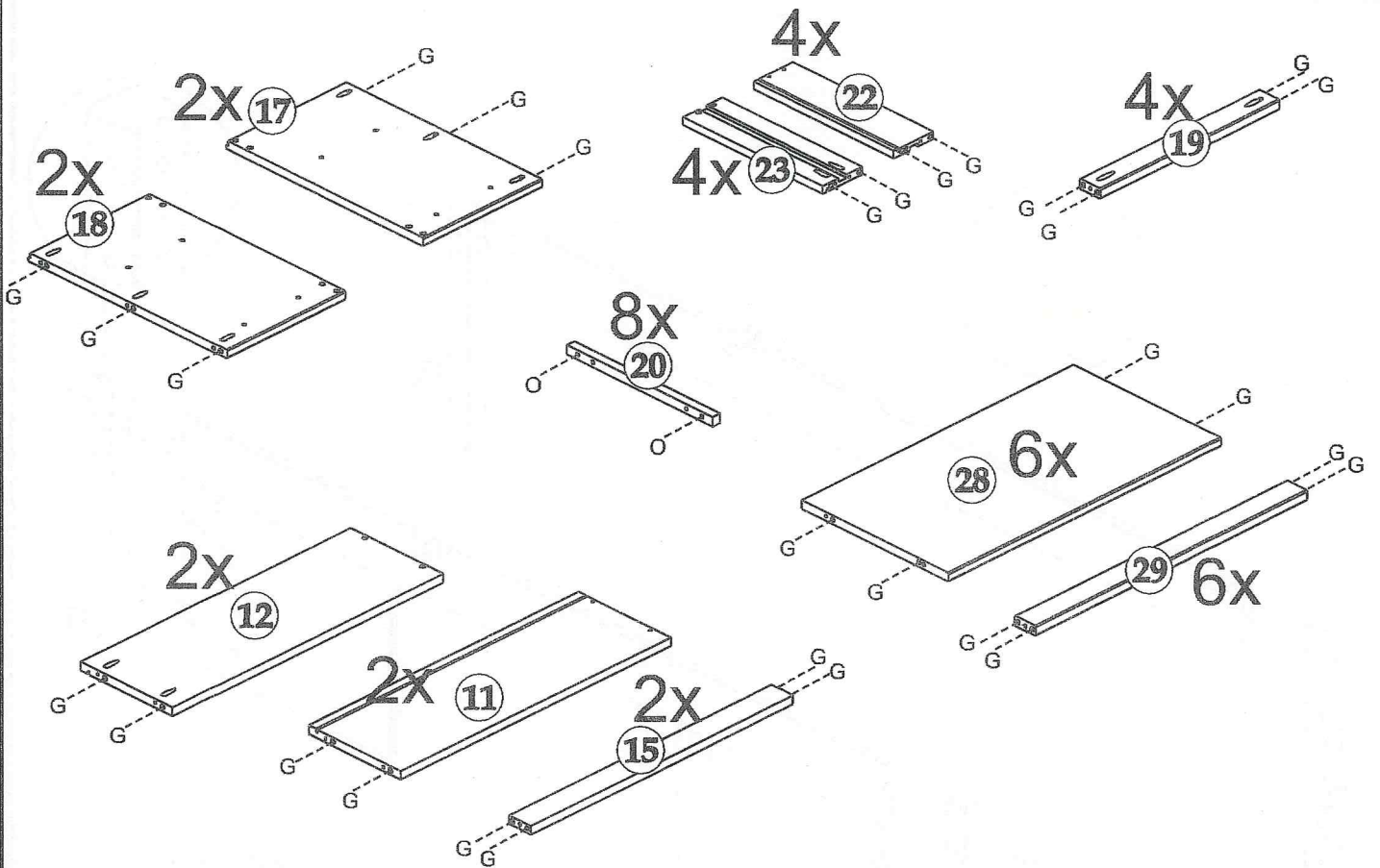
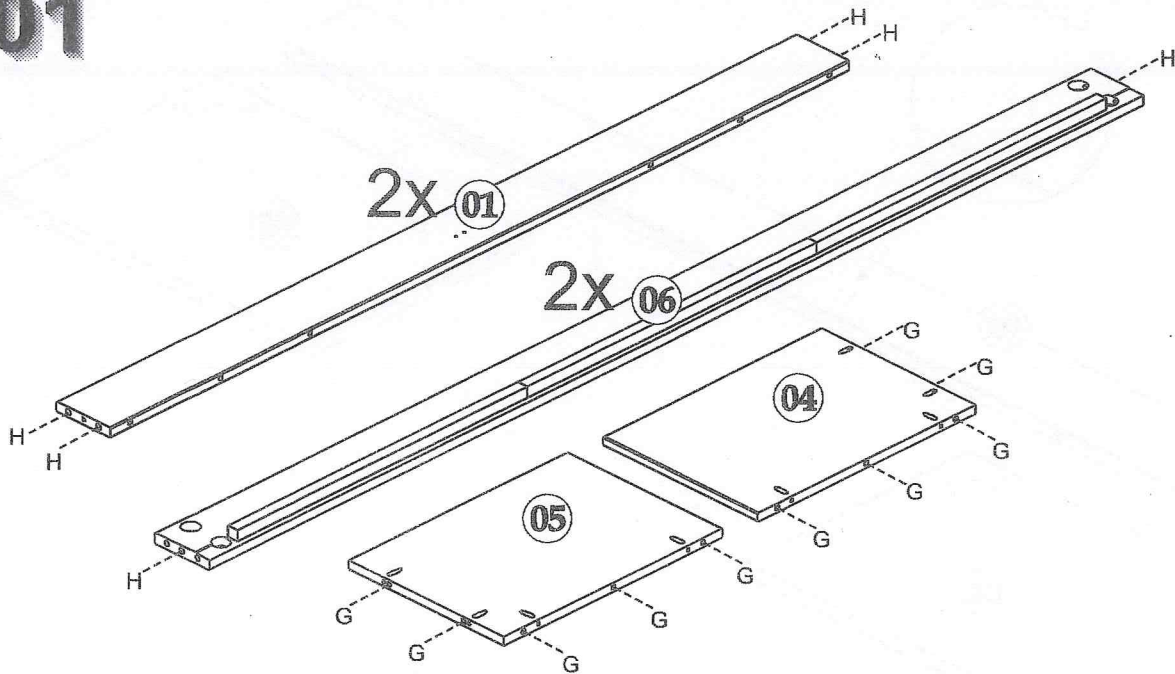
4x


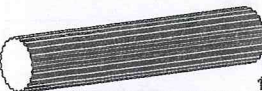



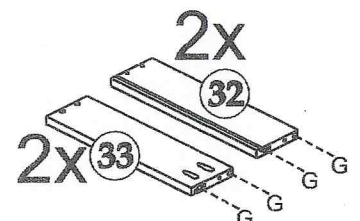
3x

2x

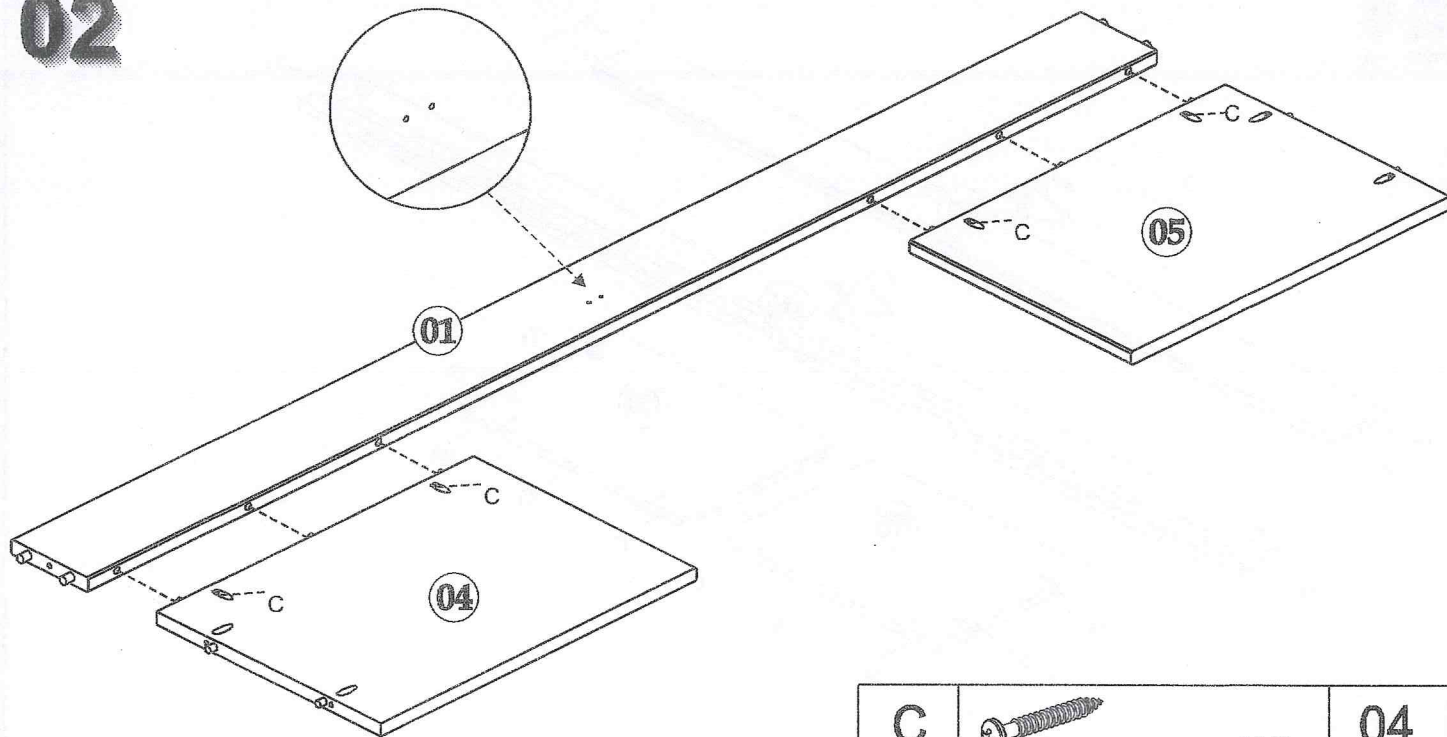
01

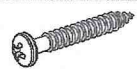


G	 8 x 30mm	126
H	 10 x 40mm	12
O	 6 x 20mm	16

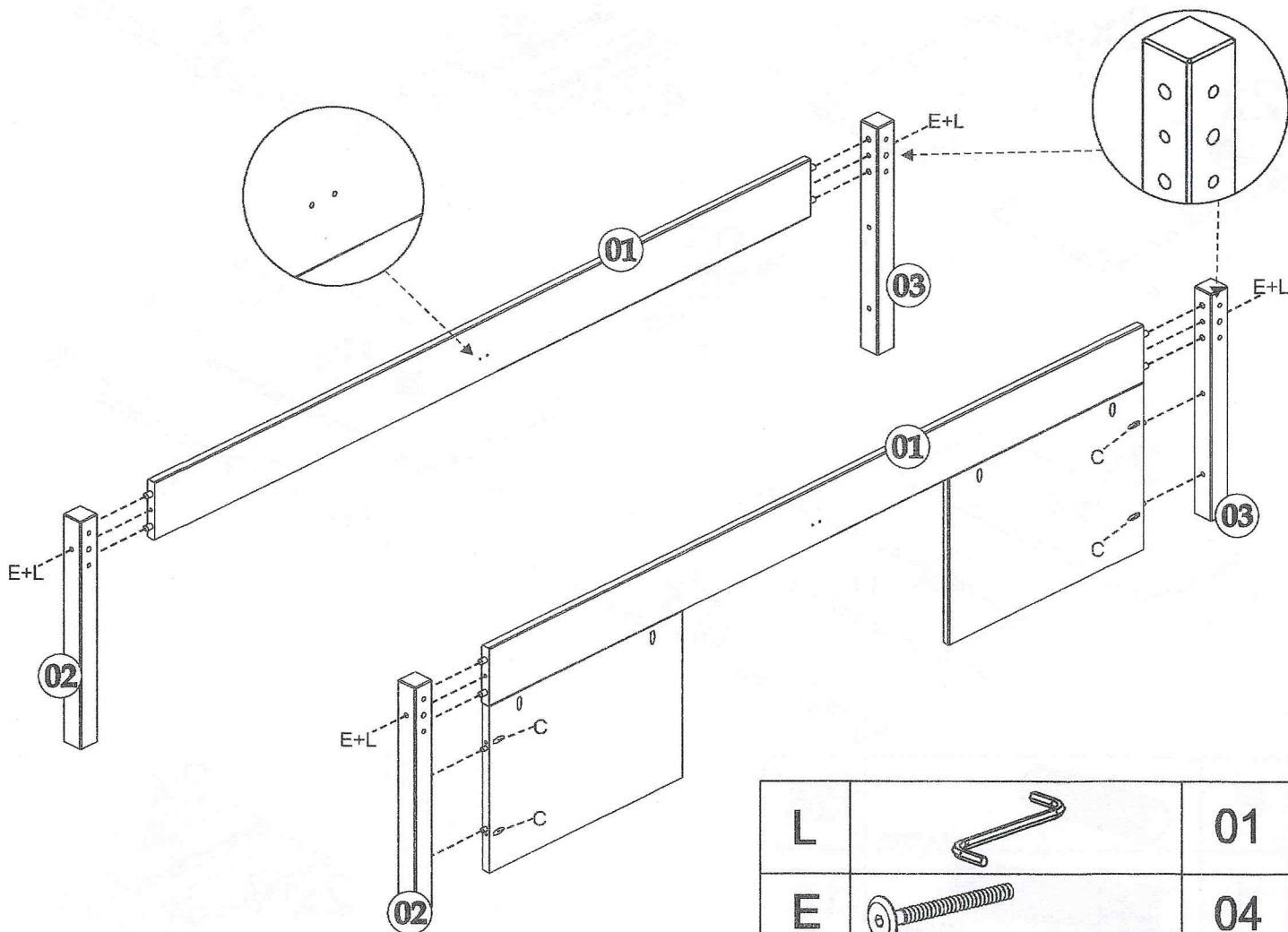


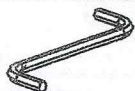
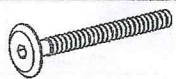
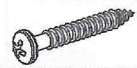
02



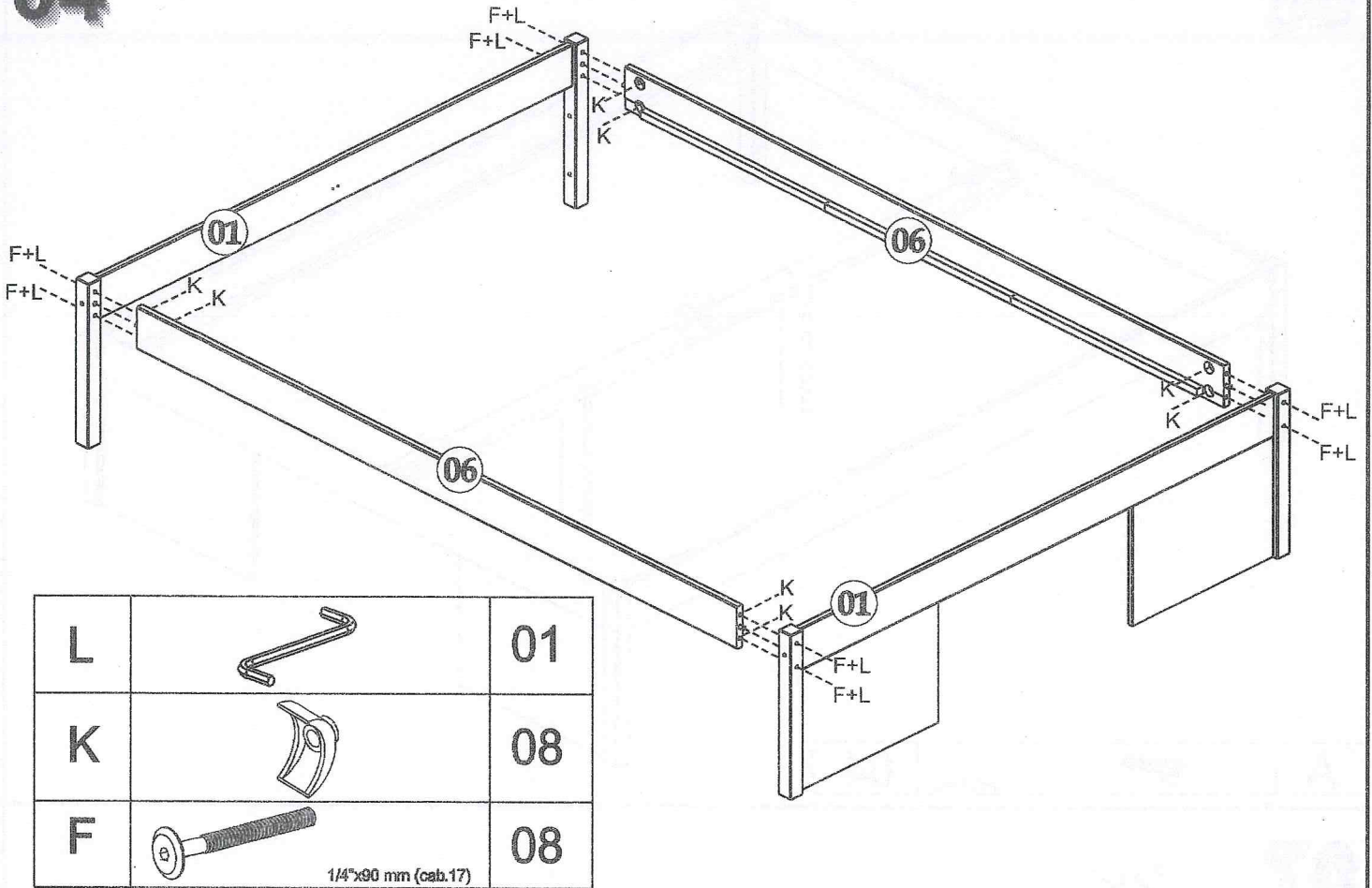
C		4,0x30 mm	04
---	---	-----------	----

03

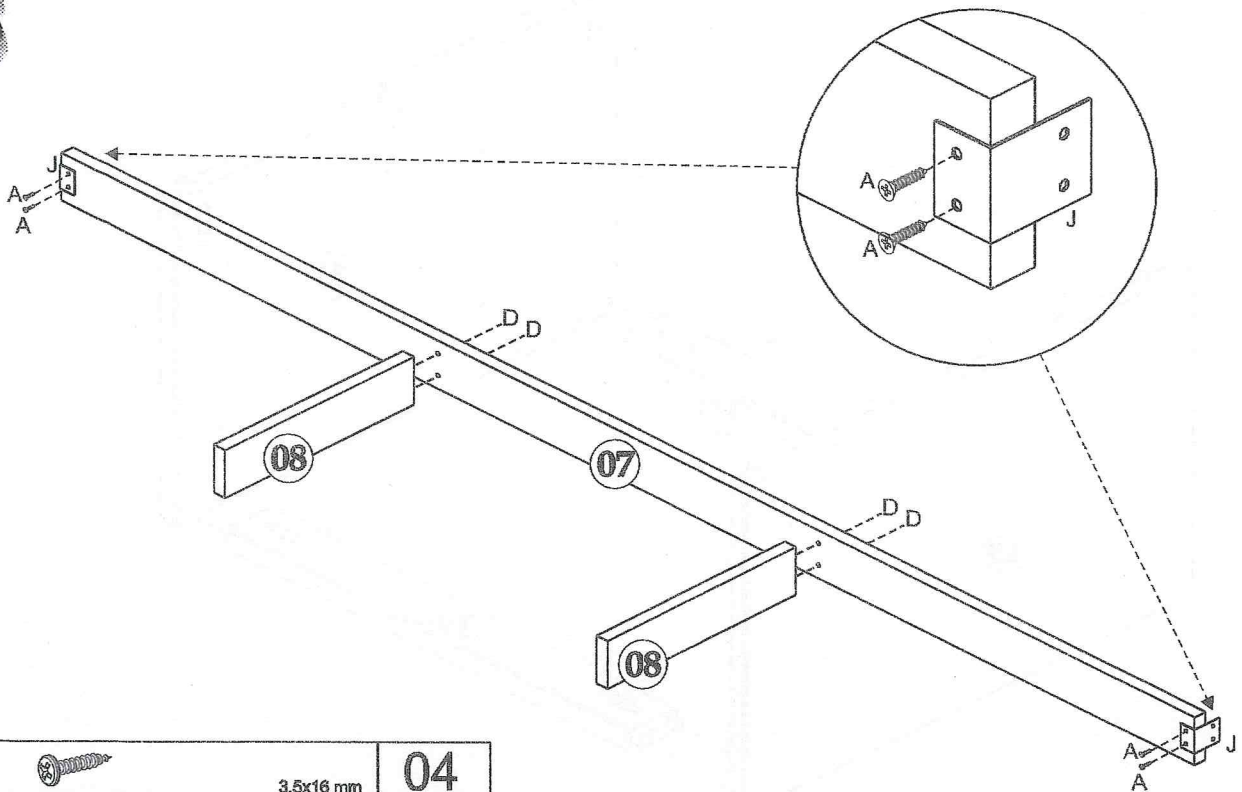


L			01
E		7,0x80 mm (cab.17)	04
C		4,0x30 mm	04

04

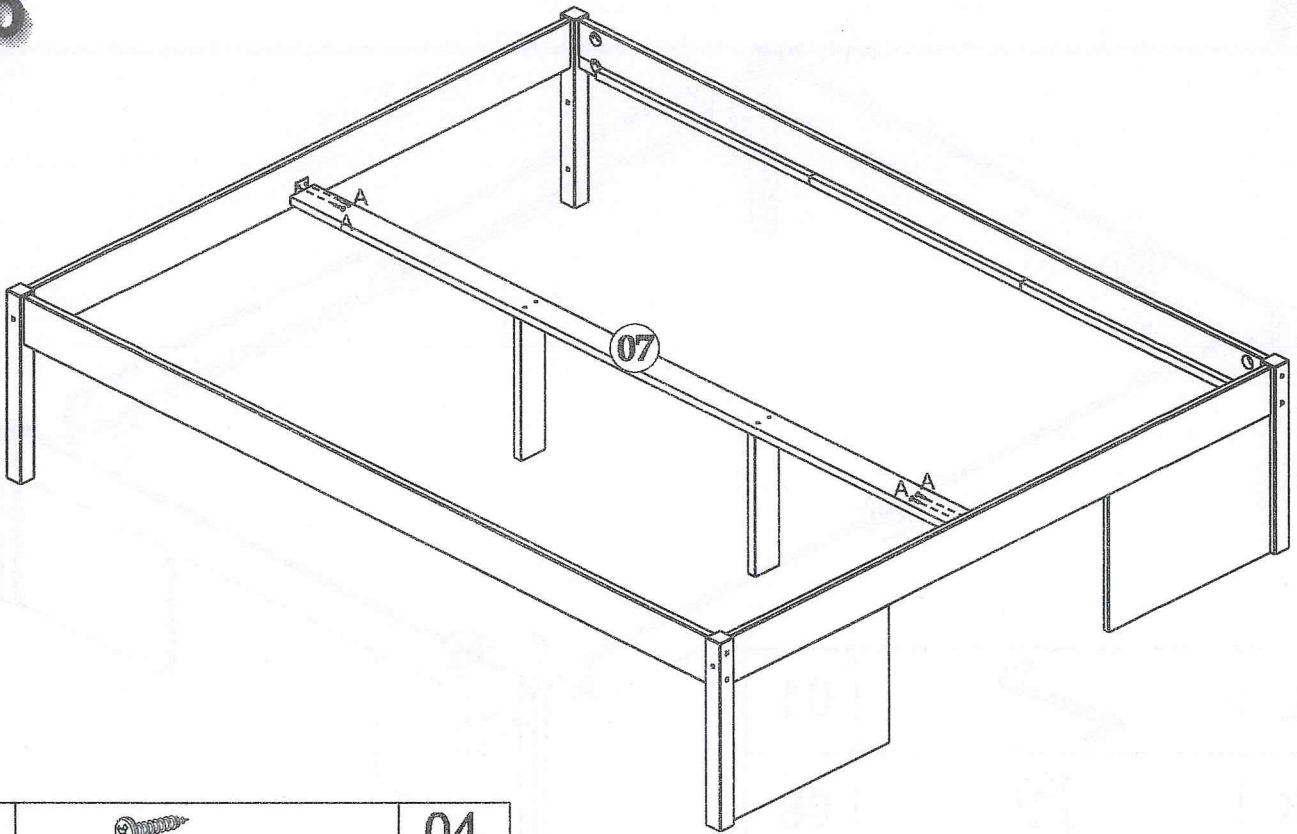


05



A		3,5x16 mm	04
D		4,0x45 mm	04
J			02

06

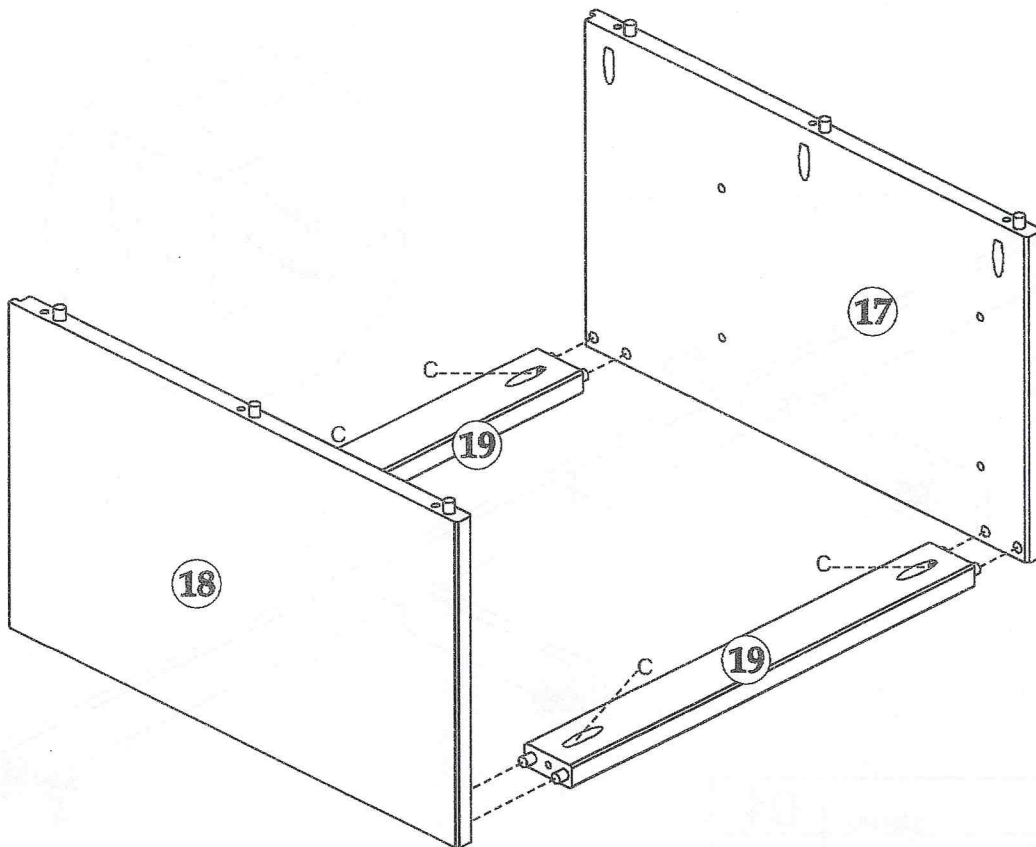



A		04
---	---	----

3,5x18 mm

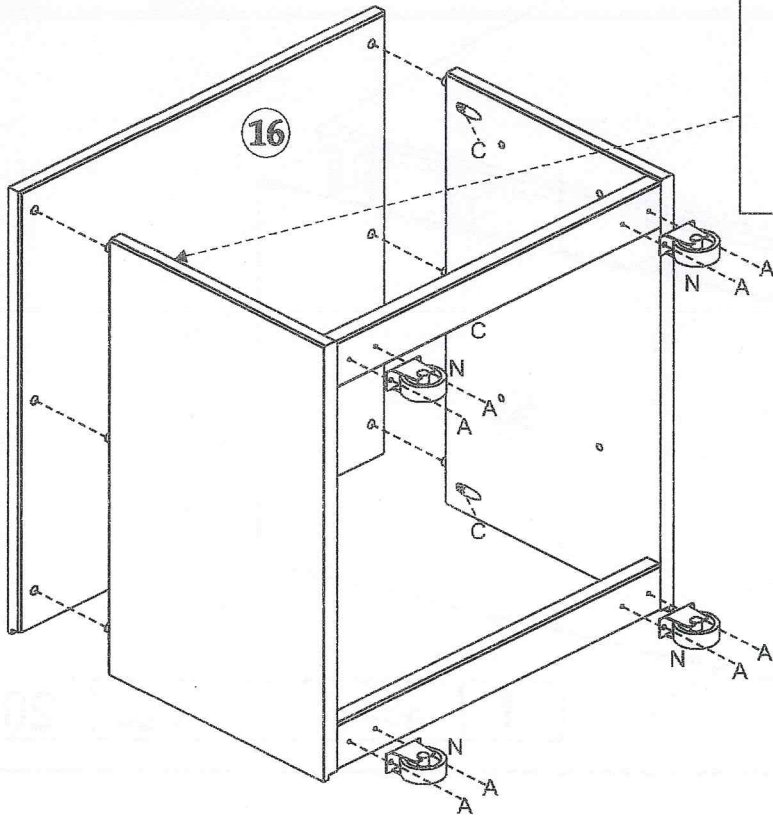
07

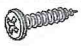
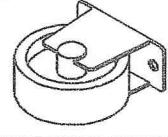

2x

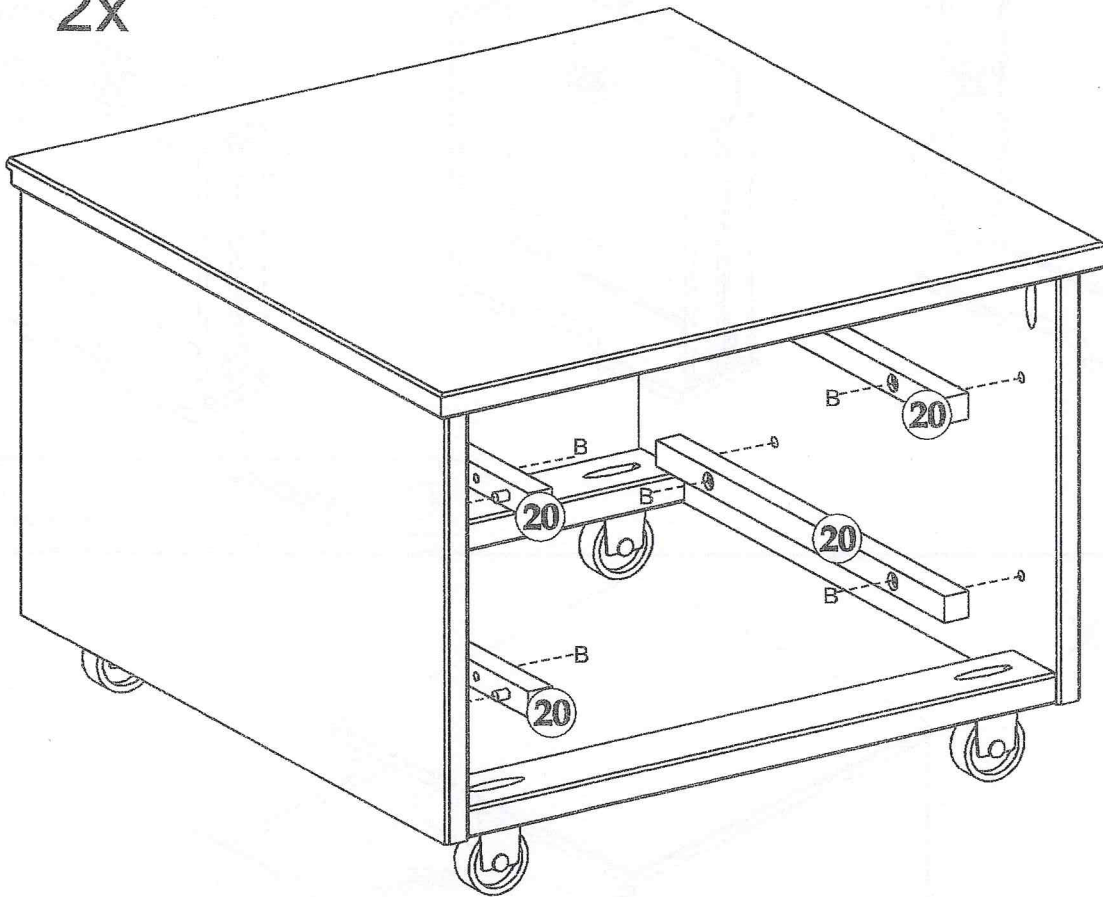


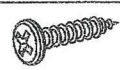
C		08
---	---	----

4,0x30 mm

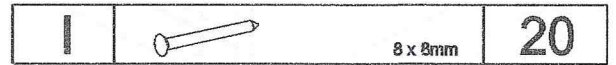
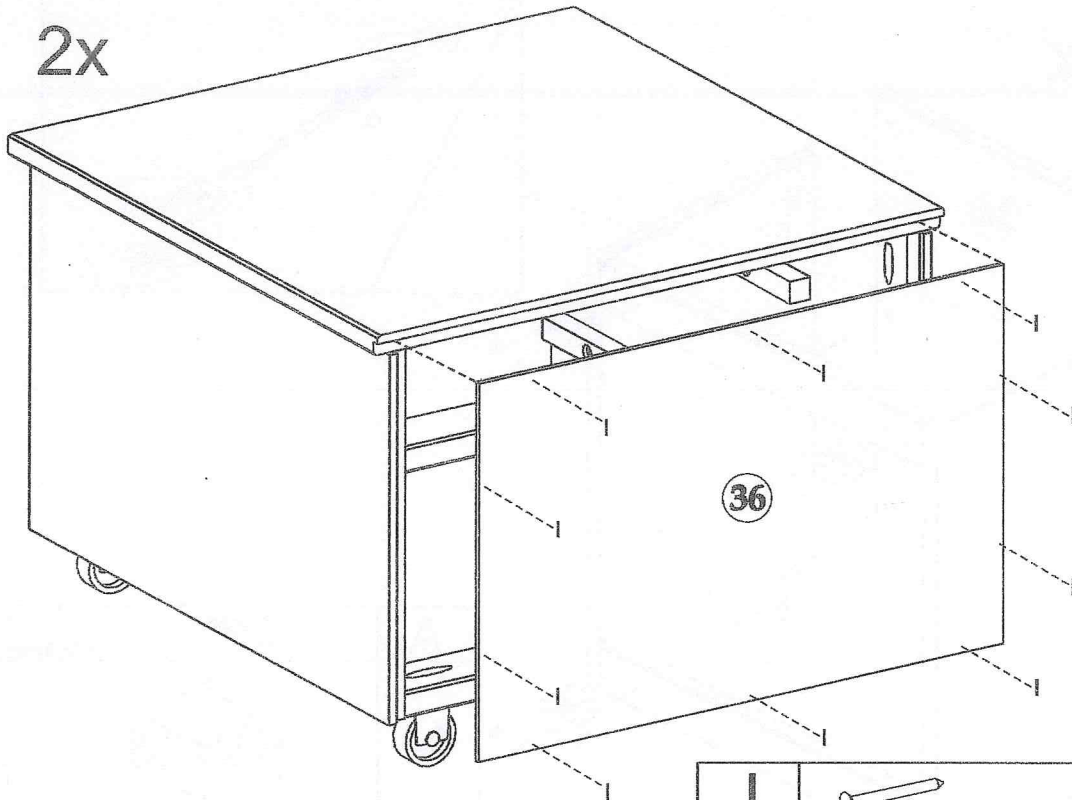
08**2x**

A		3,5x16 mm	16
N			08
C		4,0x30 mm	12

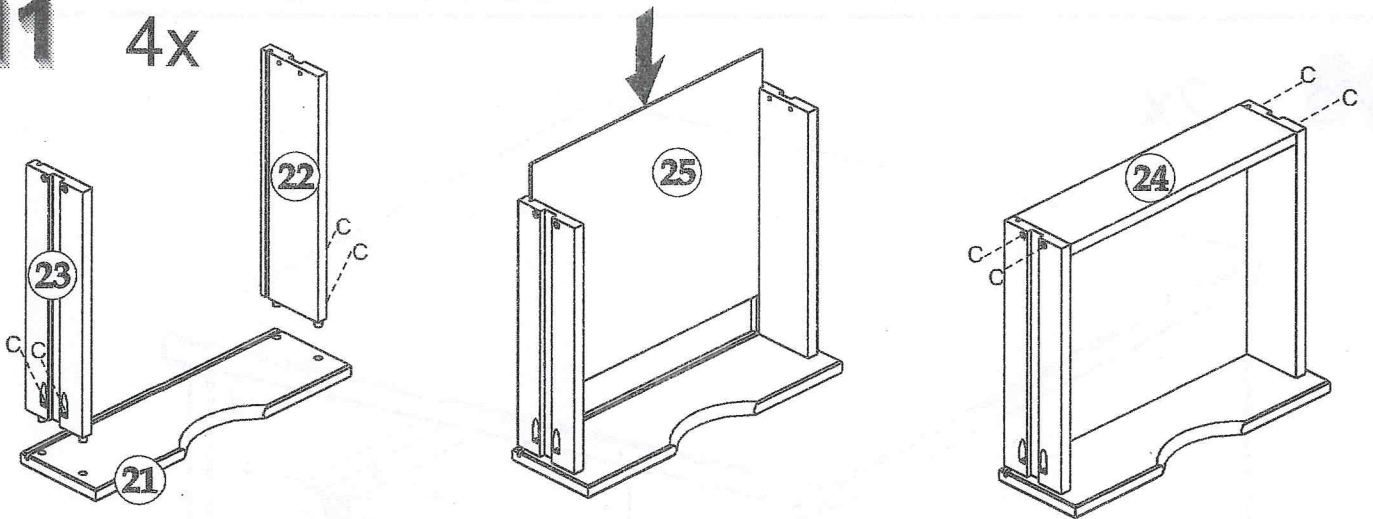
09**2x**

B		4,0x25 mm	16
---	---	-----------	----

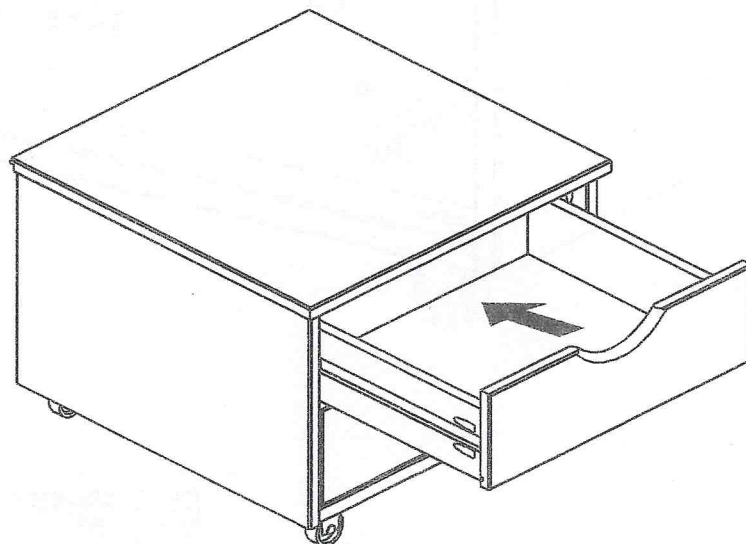
10 2x



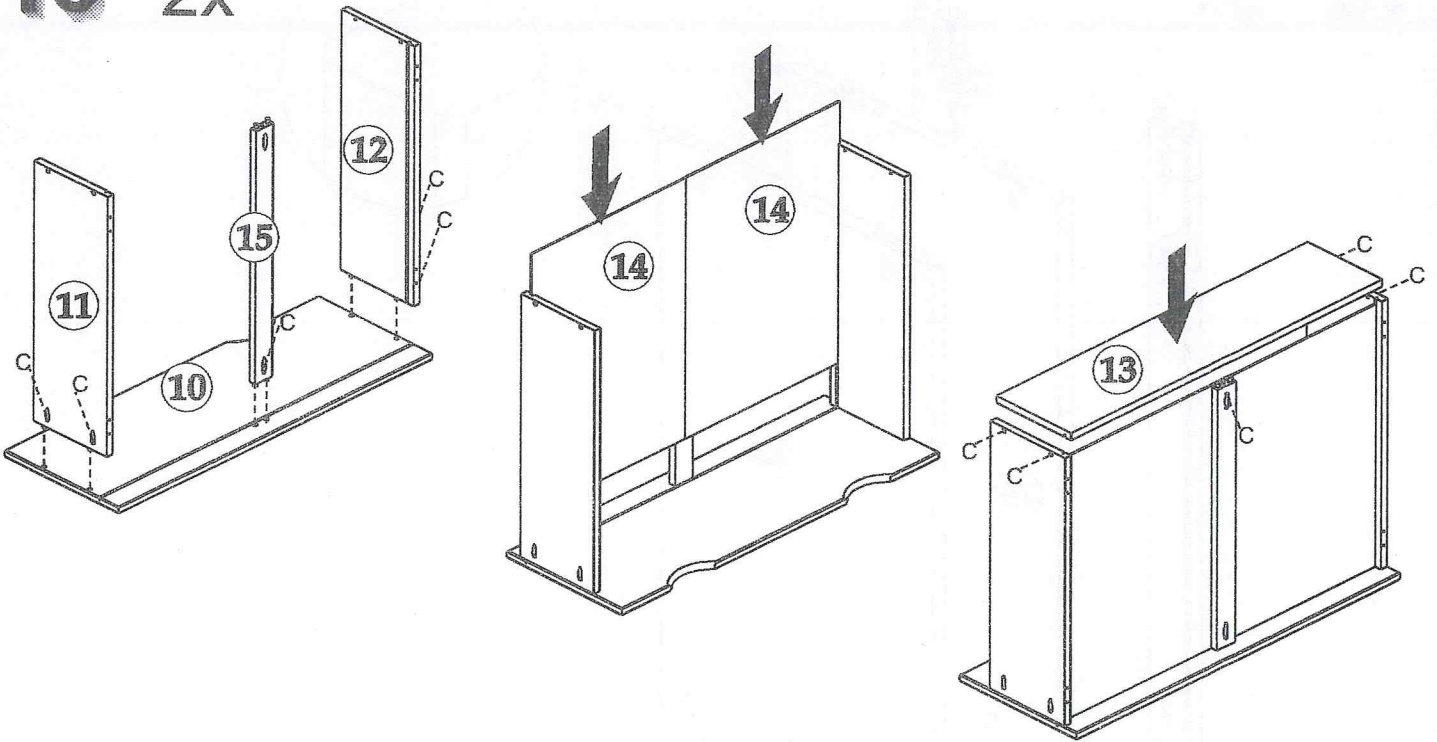
11 4x



12 2x

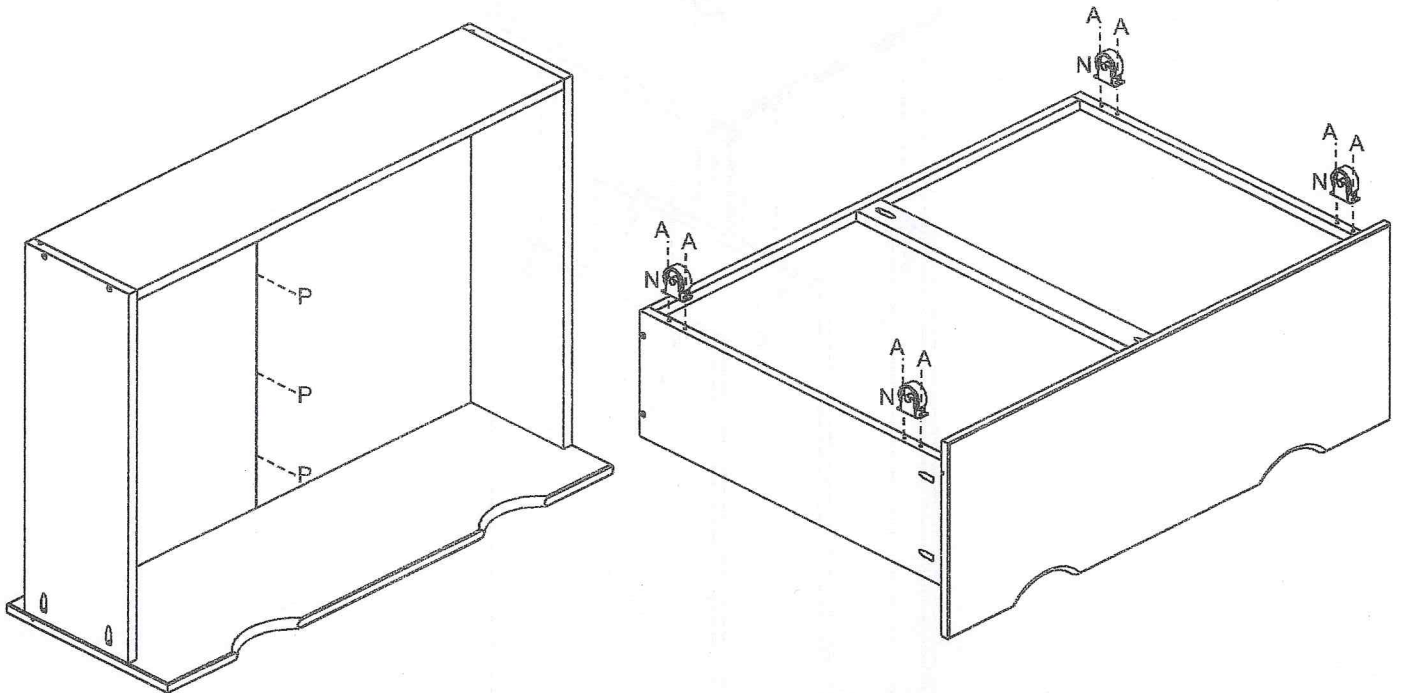



13 2x


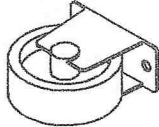


C		4,0x30 mm	20
---	---	-----------	----

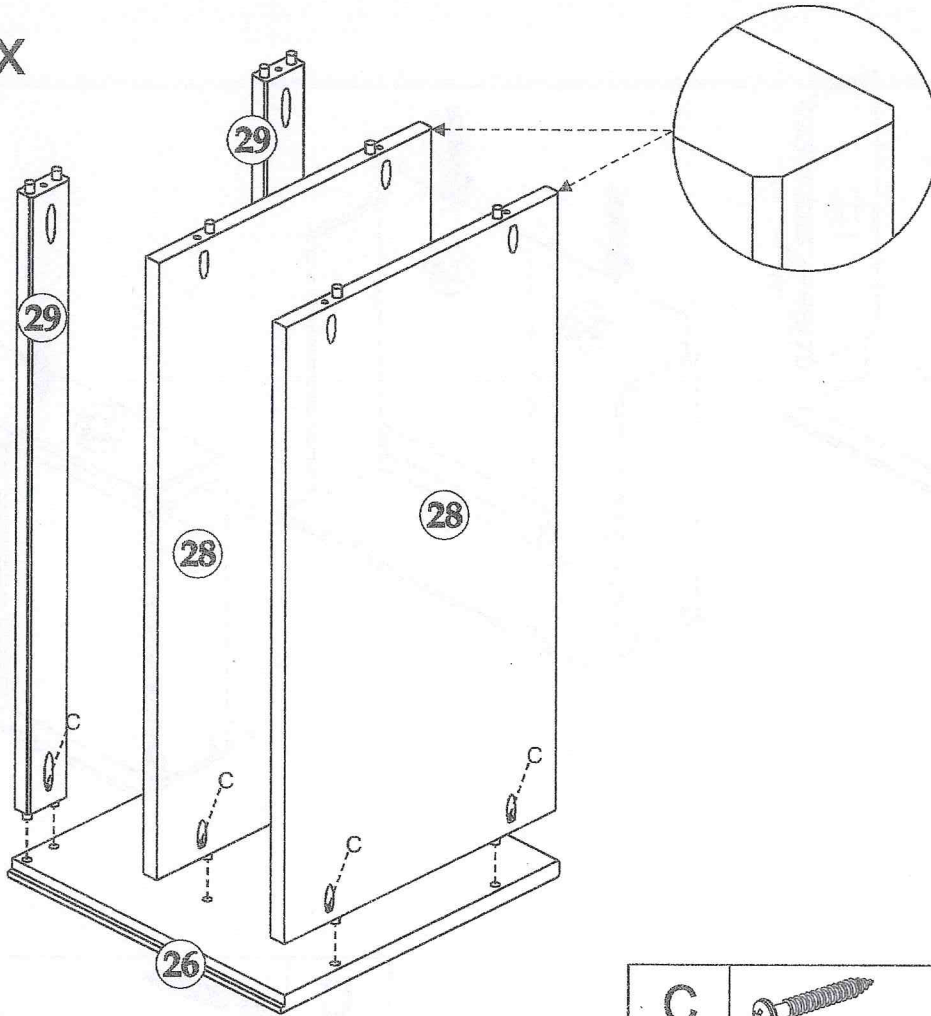
14 2x



P		3 x 14mm	06
---	---	----------	----

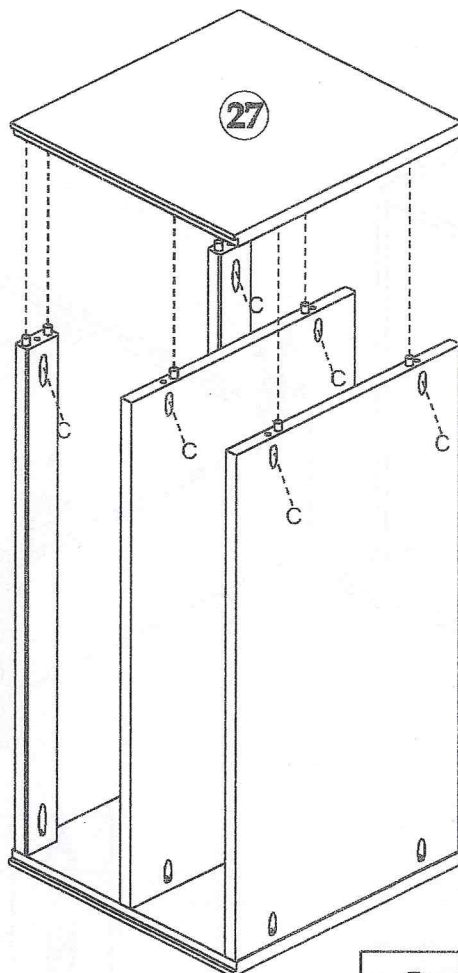
A		3,5x16 mm	16
N			08

15 3x



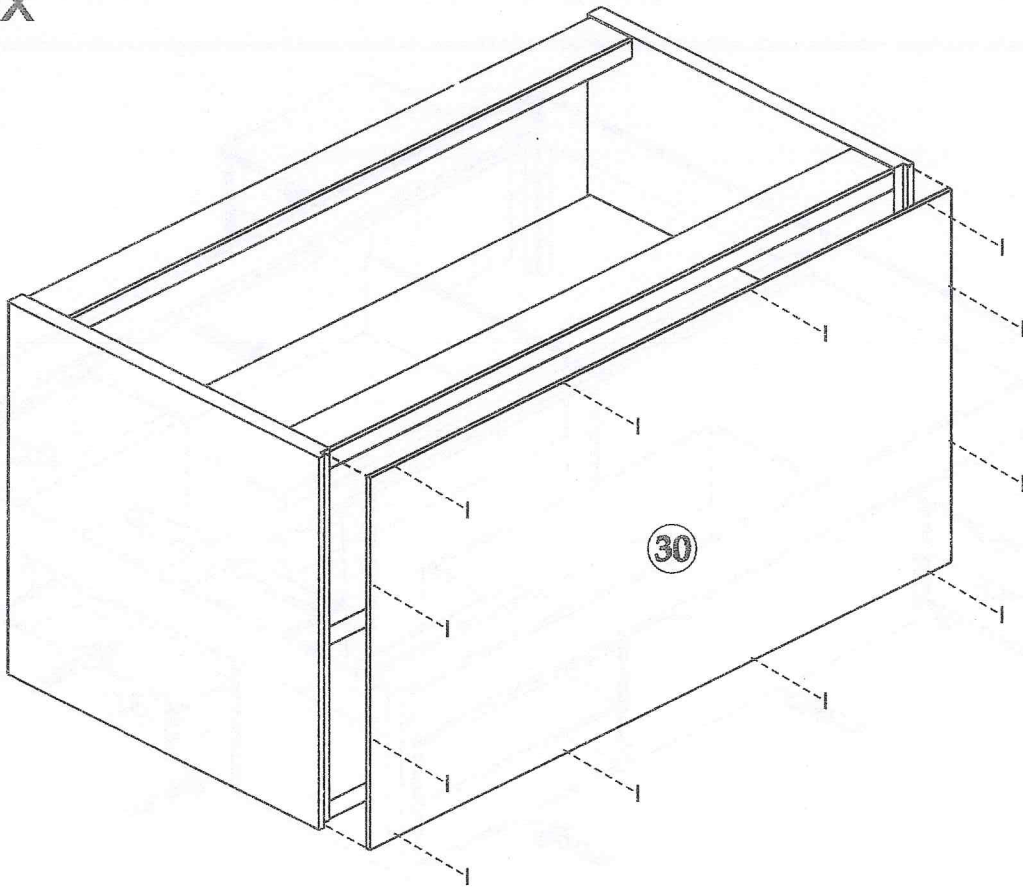
C		4,0x30 mm	18
---	---	-----------	----

16 3x



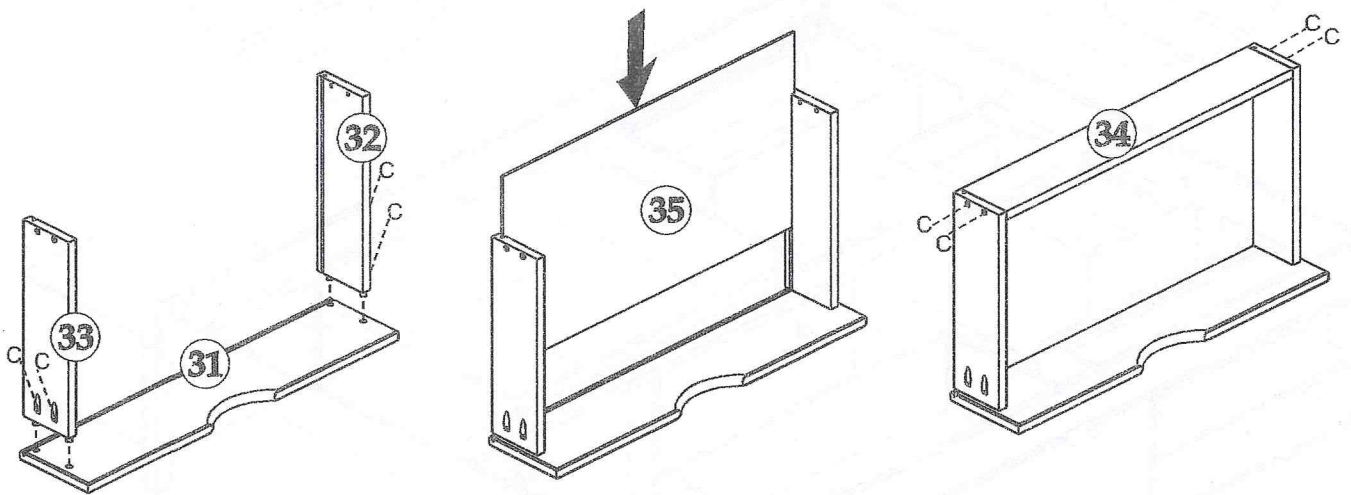
C		4,0x30 mm	18
---	---	-----------	----

17 3x



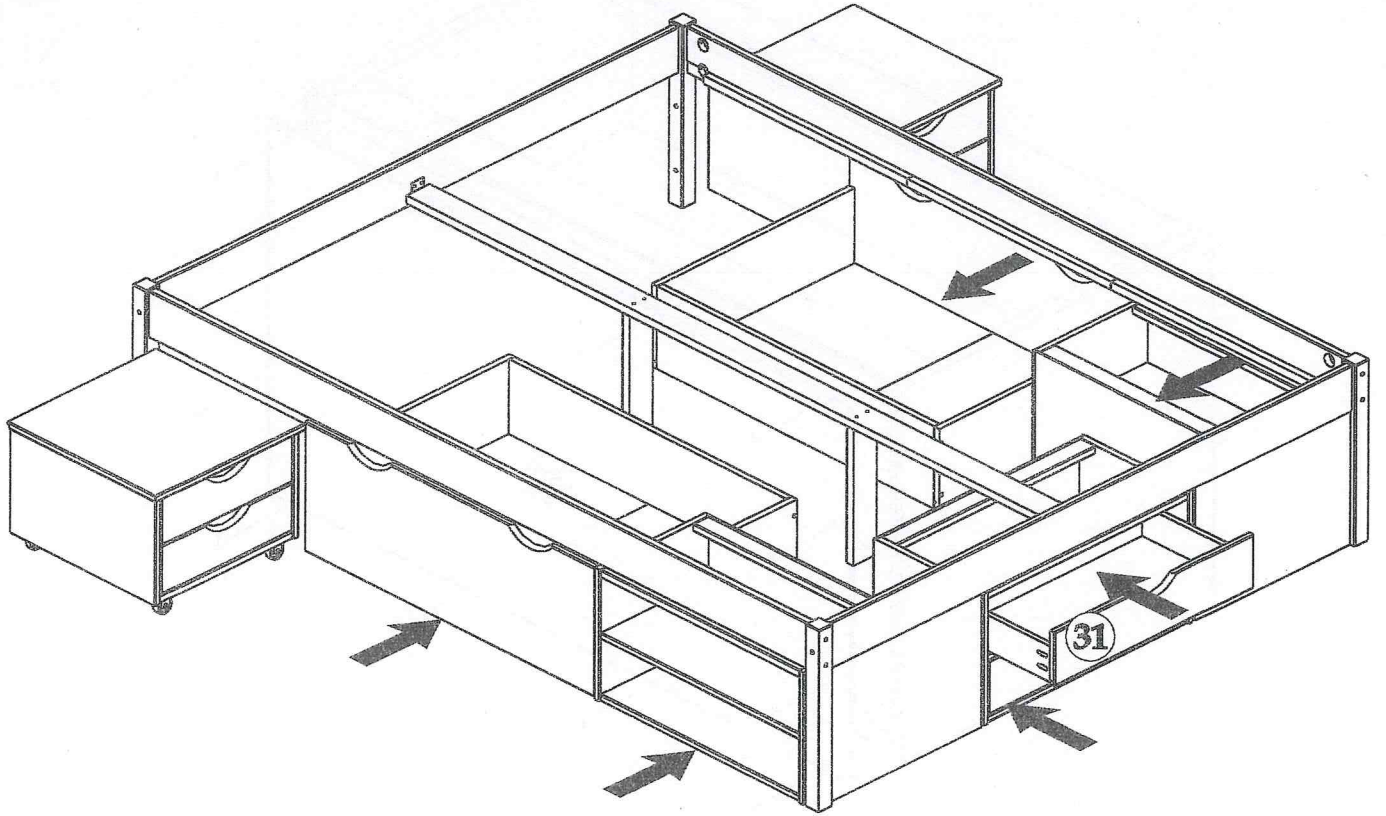
I		8 x 8mm	36
---	---	---------	-----------

18 2x

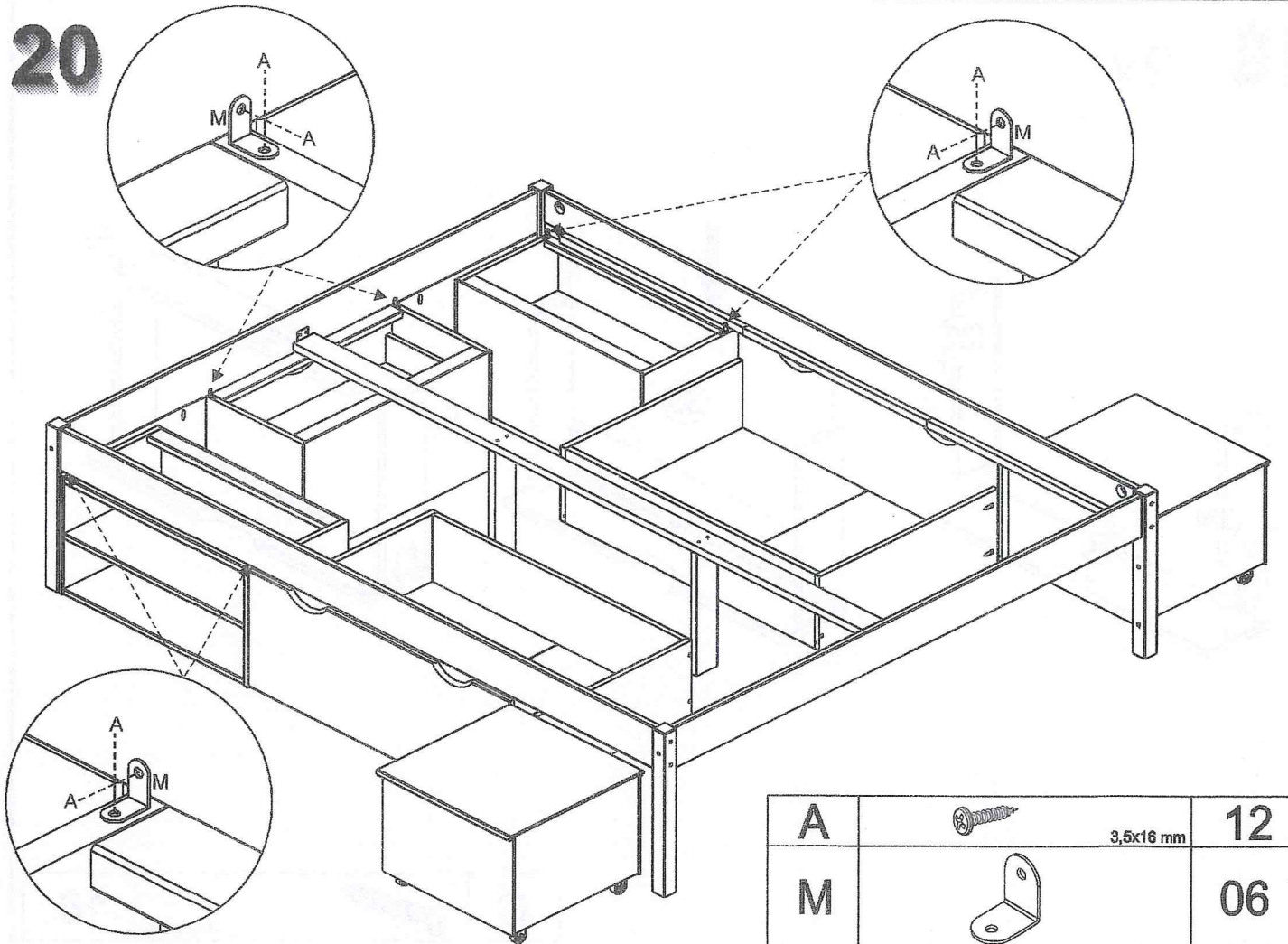




C		4,0x30 mm	16
---	---	-----------	-----------

19

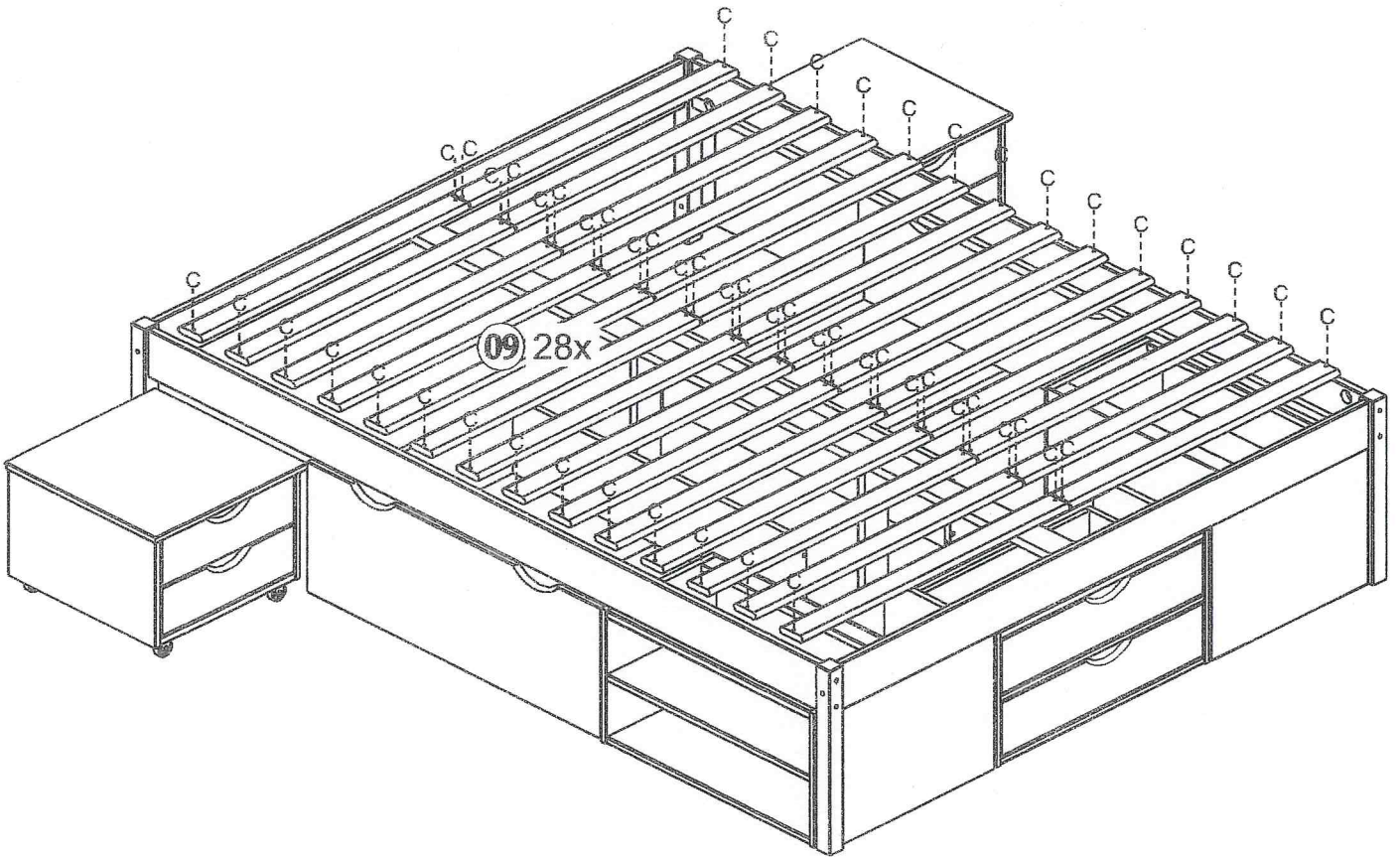
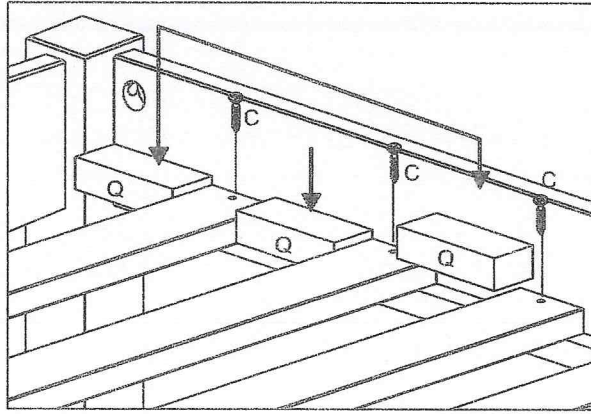




20



A	 3,5x16 mm	12
M		06

21



Q		02
C	 4,0x30 mm	56