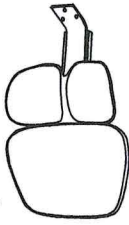
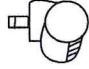


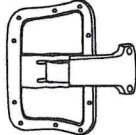
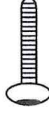
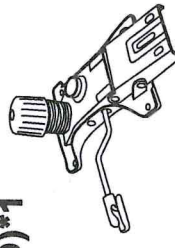

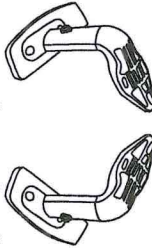
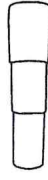
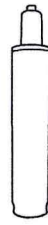
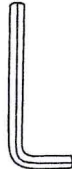


<b>(A)*1</b> 	<b>(H)*5</b> 
<b>(B)*1</b> 	<b>(I)*6</b> <b>M6*20</b> 
<b>(C)*1</b> 	<b>(J)*6</b> <b>M6*30</b> 
<b>(D)*1</b> 	<b>(K)*3</b> <b>M8*20</b> 
<b>(E)*1(L&amp;R)</b> 	<b>(L)*1</b> 
<b>(F)*1</b> 	<b>(M)*1</b> 
<b>(G)*1</b> 